



SCD - Sense | Connect | Detect

Industry 4.0 out of the box

PART NO | 0273 600 074-001

The Sense Connect Detect (SCD) enables companies to get started easily with industry 4.0. As a cost-effective, reliable (IP67) and easy-to-install solution, the sensor device attaches to almost any machine and component. The data acquisition process can start right away and reports wirelessly via Bluetooth low energy. The acquired data is visualized via the SCD mobile App that can be operated without prior knowledge.

BUILT-IN SENSORS



Accelerometer



Light sensor



Magnetometer



Temperature sensor

APPLICATION ADVANTAGES

- ▶ Extremely simple plug and play sensor
- ▶ Provides first insight on the machine response, as well as raw data for further processing
- ▶ Multiple use device with non-rechargeable battery



SCOPE OF DELIVERY

- ▶ SCD device & built-in battery
- ▶ Quick Start Guide
- ▶ Packaging unit consists of 10 devices

DOWNLOAD

- ▶ App: SCD Sensor

OPERATING CONDITIONS

- ▶ Operating temperature range -20°C ... +85°C
- ▶ Recommended storage temperature +10°C ... +30°C
- ▶ Humidity range 0% rH ... 100 % rH

MEASUREMENT RANGES & ACCURACIES

| Sensor | Measurement Range | Accuracy |
|----------------|-------------------------------------------|-----------|
| ▶ Acceleration | ± 200g | ± 10 % |
| ▶ Magnetometer | ± 1300 µT (X, Y-Axis); ± 2500 µT (Z-Axis) | ± 5 % |
| ▶ Temperature | -20°C ... +85°C | ± 0.25 °C |
| ▶ Light | 0 ... 188000 Lux | ± 15 % |

Note: specified accuracies refer to the inbuilt sensors. The accuracy and responsiveness of the SCD110 might deviate from sensor specifications dependent on installation conditions and environmental influences.

RESOLUTION

| | |
|----------------|------------|
| ▶ Acceleration | 0.1 g |
| ▶ Magnetometer | 10 μ T |
| ▶ Temperature | 0.1°C |
| ▶ Light | 1 lux |



BOSCH
Invented for life

DEVICE SPECIFICATION

| | |
|--------------------------------|-------------------------------------------------------------------------------------------------------|
| ▶ Dimension (L x W x H) | 71 mm x 62 mm x 10.5 mm |
| ▶ Weight | 21 g |
| ▶ Power supply | non-rechargeable CR2450 3V Li/MnO ₂ , 490mAh |
| ▶ Battery life | up to 2 years depending on configuration and use |
| ▶ Enclosure protection class | IP 67 |
| ▶ Electrical protection class | III |
| ▶ Sampling rates (Hz) | Acceleration : 400, 800, 1600, 3200, 6400 Magnetometer: 10 Temperature: 0.05 Light: 1.25, 10 |
| ▶ Memory capacity | 1 MB |
| ▶ BLE Activation | In Standby: On push button During operation: Automatic activation every 3 hours |
| ▶ Country certifications | CE, USA, Canada - <i>for other countries ask our support</i> |
| ▶ Environmental certifications | RoHS, REACH |

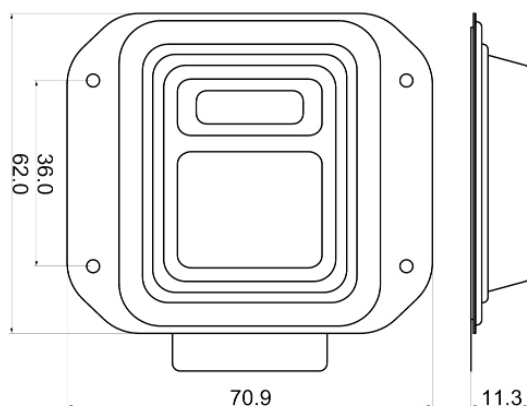
COMMUNICATION

| | |
|------------------------|-----------------------------------------------|
| ▶ Bluetooth Low Energy | |
| ▶ Range | up to 40 m (dependent on external influences) |

USER INTERFACE

| | |
|------------------|---------------------------------------------------------------------------|
| ▶ SCD Sensor App | free smartphone application for configuration, read out and visualization |
|------------------|---------------------------------------------------------------------------|

DRAWING AND DIMENSIONS



GET IN CONTACT WITH US!

E-Mail: support@bosch-connectivity.com

Website: www.bosch-connectivity.com/SCD

Technical data subject to modification without notice.

© Bosch Connected Devices and Solutions GmbH 2019. All rights reserved, also regarding and disposal, exploitation, reproduction, editing, distribution, as well as in the event of application for industrial property rights. May, 29, 2019