

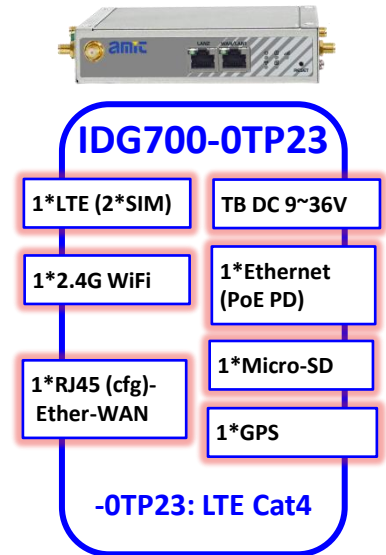


M2M 4G - IDG Series IDG700-0TP23 4G Multi-WAN Extender

Functions:

- Expanding LTE based WAN connection for various IP networks at instant, including enterprise , industry, surveillance , WiFi hotspot network.
- To be primarily or backup WAN for IP network enhances connection. It can expand fail-over for network at single WAN between LTE and Ether-WAN. There are dual SIMs for single LTE to achieve ISP fail-over when primarily fail.
- Compact and easy to be integrated into solution. High speed device covers LTE Cat4 and two port FE LAN . GPS enables location tracking. Micro-SD used for log storage.
- Capable of VPN tunnel technology and high throughput up to 20Mbps can build VPN tunnel between IP network/network device with remote center or allow clients to connect in for secure data transmission.
- Cellular toolkit simplifies setting and utilizes ISP service. Data usage monitoring for budget control. Self-defined SMS commands for easy and quick management.
- Both IPv4/IPv6 protocol stack meet ISP requirement. Gateway base on IP pass through or DHCP based NAT with Port Forwarding.
- Web-UI for basic setting. CLI and Command Script for advance setting. TR-069 used with AMIT-NMS for multi-site management. SNMP used for popular network tools management. SDK used for application expansion development.

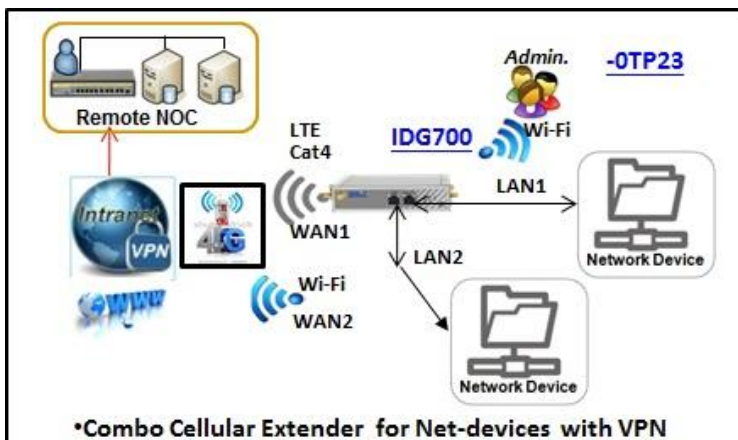
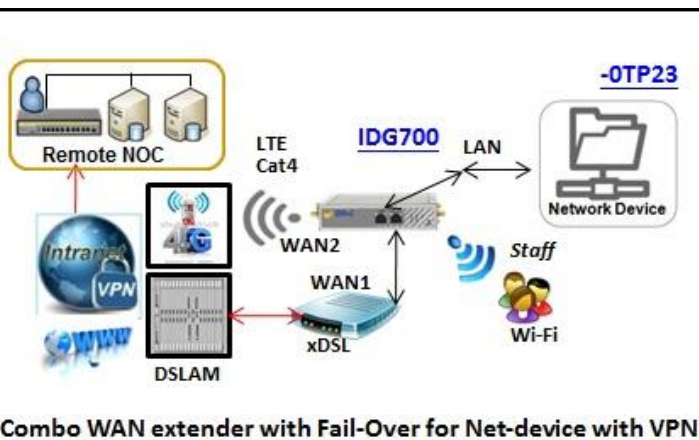
Block Diagram:



Application:

- SMB data center network backup
- Remote branch network
- Surveillance network
- Rural & mobile WiFi hotspot

Connection Diagram:



Specification Summary

Device Interface

- **LTE Module:** 1*LTE-Cat.4, 2*SIM
- **Ethernet:** 1(2)*RJ45 FE
- **WiFi:** 1*2x2 2,4G 802.11 b/g/n
- **Power Input:** 1* DC 9V ~ 36V (Terminal Block)
- **Antenna Con.:** 2*SMA (F)-LTE, 2*SMA(M)-WiFi,1*SMA(F)-GNSS

WAN & Uplink

- **WAN:** 1*Cellular & Config. Ether-WAN, 1* config. 11n WiFi; Failover
- **Cellular:** 2G/3G/LTE, IP Pass-through, IPv4/6
- **Ether-WAN:** Dynamic IP, Static IP, PPPoE, PPTP, L2TP
- **Network Monitor:** ICMP/DNS Query

WiFi

- **Standard:** 802.11 Industry Compliance
- **Mode:** AP Router, WDS, WDS Hybrid Modes
- **Functions:** Multi-SSID, WMM
- **Security:** WEP, WPA, WPA2, WPA-PSK, WPA2-PSK, 802.1x

Protocol

- **LAN & VLAN:** DHCP Server/Relay, Port/Tag based VLAN
- **IPv6:** Dual Stack, Static IPv6, DHCPv6, PPPoEv6
- **Port Forward:** NAT 1-1, 1-many, DMZ, Virtual Server & Computer, VPN Pass-through
- **Routing*:** Static, Dynamic - RIP1/RIP2, OSPF, BGP

Object

- **Scheduling:** Time Schedule List
- **Grouping:** Host Grouping List
- **Ext. Server:** Email, Syslog, RADIUS, SCEP, FTP, DDNS, IGMP
- **Certificate:** My Certificate, Trusted Certificate, Issue Certificate

Security

- **VPN Tunneling:** IPsec, OpenVPN, PPTP, L2TP, GRE
- **Scenario:** Site/Host, Client
- **VPN Capability:** DMVPN, Full Tunnel
- **Firewall*:** SPI Firewall with Stealth Mode, IPS
- **Access Control*:** Packet Filter, URL Blocking, MAC Filter

Administration

- **Configuration:** Web UI, CLI, Command Script
- **Management:** SNMPv3 Std. & AMIT MIB, TR-069
- **System:** Upgrade, Backup & Restore, Reboot & Reset, SysLog
- **Diagnostic:** Packet Analyzer, Diagnostic Tools

Service

- **Cellular Toolkit:** Data Usage, SMS, SIM PIN, USSD, Network Scan
- **Event Handling:** Manage/Notify Events action or trigger by SMS, SNMP Trap, Email Alert, SysLog
- **Network Service:** Dynamic DNS, Time Sync
- **Scheduling:** System Reboot, Function On / Off

Environment

- **OP/Store Temp.:** -30°C ~ 70 °C; -40°C ~ 85°C
- **Humidity:** 10%~95% (non-condensing)
- **Enclosure:** Metal, Bracket
- **Dimension:** 131x99x31mm (w/o mounting kit), 167x99x39mm (with mounting kit)

Certificate - CE

- Standards & Regulation
- EMI: EN 55032: 2015 +AC: 2016 Class B, EN61000-3/-6
- EMS: EN 55024, IEC 61000, EN61000-6
- Radio: EN 301 489, EN 300 328, EN 301 893, EN50385
- Safety: EN 60950-1, EN 62368-1

Package Accessory

- 1*Device
- 2*Cellular Antenna (3dBi), 2*WiFi Antenna
- 1*Power Adapter DC 12V/1A
- 1*2 Pins Terminal Block
- 1*DIN Rail Kit, 1*Screw Bag
- 1*RJ45 Cable
- 4*Rubber feet, 1*CD (User Manual)

SKU Information:

IDG700-0TP23-00-yy : LTE Cat.4

'yy': Area Variant. As below table

yy	SKU	Band	Module Certi.	System Cert.	GNSS
EO	EU	B1/3/7/8/20	CE,GCF	CE	GPS
RO	Russia	B3/7/20	-	EAC	GPS
UO	US	B2/4	PTCRB, AT&T	TBD	GPS
JO	Japan	B1/9/18/19/21	Telec, NTT,KDDI	Telec	GPS
J1	Japan	B1/8/41	Telec, Softbank	TBD	GPS
TO	Taiwan	B3/7/8/28	NCC	TBD	GPS
CO	China	B3/8/39/40/41		TBD	GPS
AO	Australia	B1/3/5/7/28/40	RCM,	TBD	GPS

Comment

- Specifications are subject to change without prior notice..
- Besides CE, region Certification need to check for availability.

Mechanic Drawing

• Front View



• Left View



• Right View

