



M2M 4G – IDG Series

IDG500-0T501

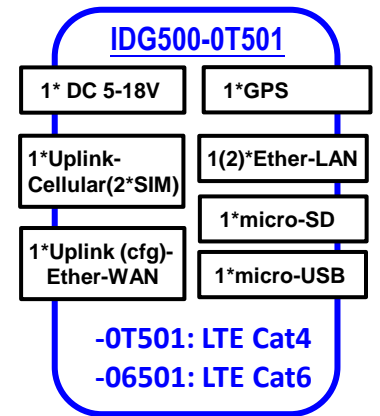
IDG500-06501

4G WAN Extender

Functions:

- Expanding LTE based WAN connection for various IP networks at instant, including enterprise , industry, surveillance , WiFi hotspot network.
- To be primarily or backup WAN for IP network enhances connection. It can expand fail-over for network at single WAN between LTE and Ether-WAN. There are dual SIMs for single LTE to achieve ISP fail-over when primarily fail.
- Compact and easy to be integrated into solution. High speed device covers LTE Cat4/6/9 and two port Giga LAN . GPS enables location tracking. Micro-SD used for log storage. Micro-USB for future expansion.
- Capable of rich VPN tunnel technology and high throughput up to 150Mbps can build VPN tunnel between IP network/network device with remote center or allow clients to connect in for secure data transmission.
- Cellular toolkit simplifies setting and utilizes ISP service. Data usage monitoring for budget control. Self-defined SMS commands for easy and quick management.
- Both IPv4/IPv6 protocol stack meet ISP requirement. Gateway base on IP pass through or DHCP based NAT with Port Forwarding. Rich Routing function covers static, dynamic and OSPF compatible with most IP network.
- Web-UI for basic setting. CLI and Command Script for advance setting. TR-069 used with AMIT-NMS for multi-site management. SNMP used for popular network tools management. SDK used for application expansion development.

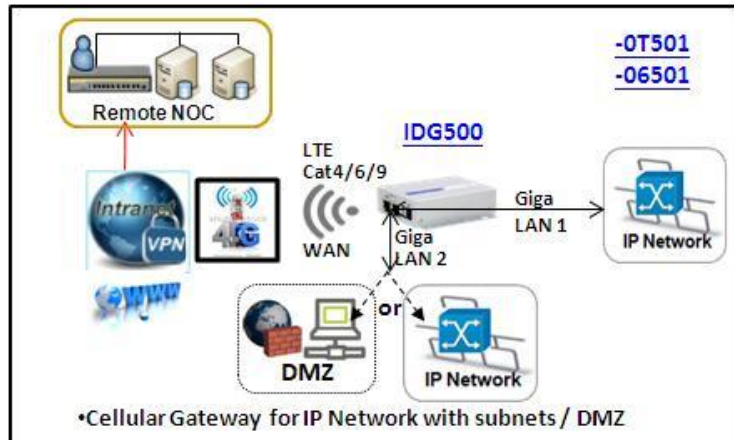
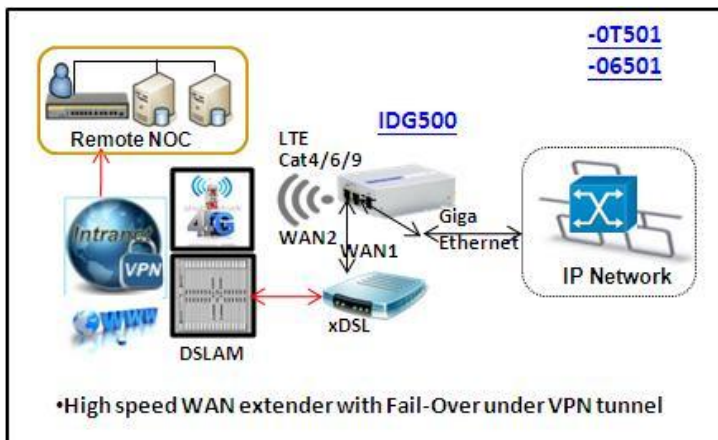
Block Diagram:



Application:

- SMB data center network backup
- Remote branch network
- Surveillance network
- High speed video server

Connection Diagram:



Specification Summary

Device Interface

- **LTE Module:**1*LTE-Cat.4/Cat.6, 2*SIM
- **Ethernet :**1(2)*RJ45 GE
- **Log Storage:** 1*MicroSD, 1*MicroUSB
- **Power Input :** 1* DC 5V ~ 18V (DC Jack)
- **Antenna Con.:** 2*SMA (F)-LTE, 1* SMA(F)-GPS

WAN & Uplink

- **WAN:** Cellular, Ether-WAN; Failover,
- **Cellular:** 2G/3G/LTE, IP Pass-through, IPv4/v6
- **Ether-WAN:** Dynamic IP, Static IP, PPPoE , PPTP, L2TP
- **Network Monitor:** ICMP/DNS Query

Protocol

- **LAN & VLAN:** DHCP Server/Relay , Port/Tag based VLAN
- **IPv6*:** Dual Stack, Static IPv6, DHCPv6, PPPoEv6
- **Port Forward:** Virtual Server, Virtual Computer, DMZ, VPN Pass-through
- **Routing:** Static, Dynamic - RIP1/RIP2, OSPF, BGP

Object

- **Scheduling:** Time Schedule List
- **Grouping:** Host Grouping List
- **Ext. Server:** Email, Syslog, RADIUS, SCEP, FTP, DDNS, IGMP
- **Certificate:** My Certificate, Trusted Certificate, Issue Certificate

Security

- **VPN Tunneling:** IPSec, OpenVPN, PPTP, L2TP, GRE
- **Scenario:** Site/Host to Site/Host; Hub and Spoke; Dynamic VPN
- **VPN Capability:** IPSec: up to 3 tunnels
- **Firewall:** SPI Firewall with Stealth Mode, IPS
- **Access Control:** Packet Filter, URL Blocking, MAC Filter

Administration

- **Config & Mgmt. :** Web, Telnet & SSL, Command Script, SNMPv3 Std. & Proprietary MIB , TR069, Python*
- **System:** Upgrade, Backup & Restore, Reboot & Reset, SysLog
- **Diagnostic:** Packet Analyzer, Diagnostic Tools

Service

- **Cellular Toolkit:** Data Usage, SMS, SIM PIN, USSD, Network Scan
- **Event Handling:** User Defined Manage/Notify Event; SMS, Mail, Syslog, SNMP Trap
- **GNSS*:** GPS Location Tracking / Viewer

Environment

- **OP/Store Temp.:** -30°C ~ 60°C ; -40°C ~ 85°C
- **Humidity:** 10%~95% (non-condensing)
- **Enclosure:** Metal, Bracket
- **Dimension:** 93x90x27mm

Certificate - CE

- Standards & Regulation
- EMI: EN 55032: 2015 +AC: 2016 Class B, EN61000-3/-6
- EMS: EN 55024, IEC 61000, EN61000-6
- Radio: EN 301 489, EN 300 328 ,EN 301 893, EN50385
- Safety: EN 60950-1, EN 62368-1

Package Accessory

- 1*Device
- 2*Cellular Antenna (3dBi)
- 1*Power Adapter DC 5V/2A
- 1*DC Jack to Terminal Block Adaptor
- 1*DIN Rail Kit
- 4*Rubber feet, 1*CD (User Manual)
- 1*RJ45 Cable

SKU Information:

IDG500-0T501-00-yy : LTE Cat.4

IDG500-06501-00-yy : LTE Cat.6

'yy': Area Variant. As below table

yy	SKU	Band	Module Certi.	System Cert.	GNSS
E0	EU	B1/3/7/8/20	CE,GCF	CE	GPS
R0	Russia	B3/7/20	-	EAC	GPS
U0	US	B2/4	PTCRB, AT&T	TBD	GPS
J0	Japan	B1/9/18/19/21	Telec , NTT,KDDI	Telec	GPS
J1	Japan	B1/8/41	Telec , Softbank	TBD	GPS
T0	Taiwan	B3/7/8/28	NCC	TBD	GPS
C0	China	B3/8/39/40/41		TBD	GPS
A0	Australia	B1/3/5/7/28/40	RCM,	TBD	GPS

Comment

- Specifications are subject to change without prior notice..
- Besides CE, region Certification need to check for availability.

Mechanic Drawing

• **Front View**



• **Back View**



AMIT Wireless Inc.

TEL: +886 (0)6 505 8026 FAX: +886 (0)6 505 8068

Web: <http://www.amit.com.tw> Email: sales@amit.com.tw

No. 28, Lane 31, Huandong Rd., Sec. 1, Xinshi Dist., Tainan City 74146, Taiwan (R.O.C.)