

MDG100-0TU01 Embedded 4G Modem

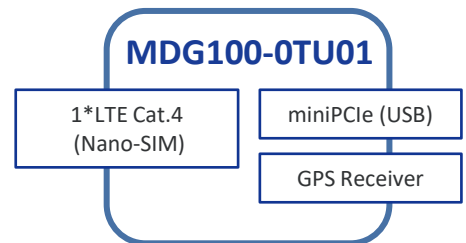


PCIe adapter kit available !!

MDG100-0TU01 is an embedded LTE modem in a standard miniPCIe form factor. It's a Plug & Play end device that can provide LTE connectivity right after a SIM card is inserted into its nano-SIM (4FF) slot. With its intelligent connection monitoring mechanism, it can provide more reliable LTE connection for mission-critical applications. MDG100 equips with an internal web GUI for configuration and connection status monitoring. The GPS feature can also help collect the location data at real time.

Applications:

- Industrial PC
- Retail / Point-Of-Sales
- Single Board Computer
- Video Surveillance DVR
- Professional A/V Solution



Carrier Approved

- Verizon end device certified
- No extra certification for host devices

Easy Integration

- Standard miniPCIe form factor
- Plug & Play without software porting

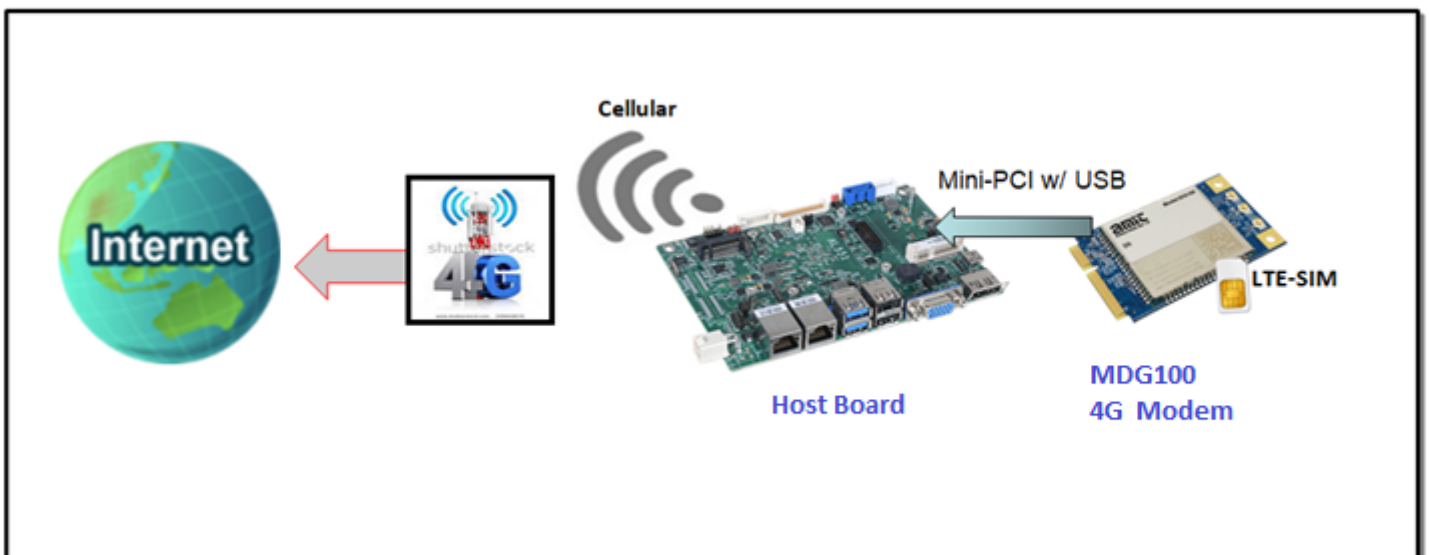
Flexible SIM Selection

- An internal nano-SIM (4FF) slot
- Support external SIM on host device

Easy Management

- Web-based GUI configuration
- Connectivity status monitoring

Connection Diagram



Specification Summary

Device Interface

- **LTE Module:** 1*Cat-4 LTE (150Mbps DL, 50Mbps UL)
- **3GPP:** Release 11
- **SIM:** 1* 4FF Hinge type for 1.8V / 3V SIM/USIM
- **LTE Band:** B2, B4, B5, B12, B13, B14, B66, B71
- **WCDMA Band:** B2, B4, B5
- **Data Interface:** USB 2.0 through miniPCIe pins
- **Power Input:** DC 3.3V through miniPCIe pins
- **Antenna:**
 - 2*I-PEX connector for external LTE antenna
 - 1*I-PEX connector for external GPS antenna

WAN & Uplink

- **WAN:** NAT / Modem mode

Control Interface

- **Web-based GUI:** configuration and status monitoring
- **AT Command:** 3GPP TS 27.007, 27.005 and enhanced AT commands

Environment

- **Operation Temperature:** -22°F-176°F (-30°C-80°C)
- **Storage Temperature:** -40°F-185°F (-40°C-85°C)
- **Humidity:** 10%~95% (non-condensing)
- **Dimension:** 51(L)x31(W)x5.35(H) mm
2(L)x1.22(W)x0.21(H) inch

Certification

- FCC

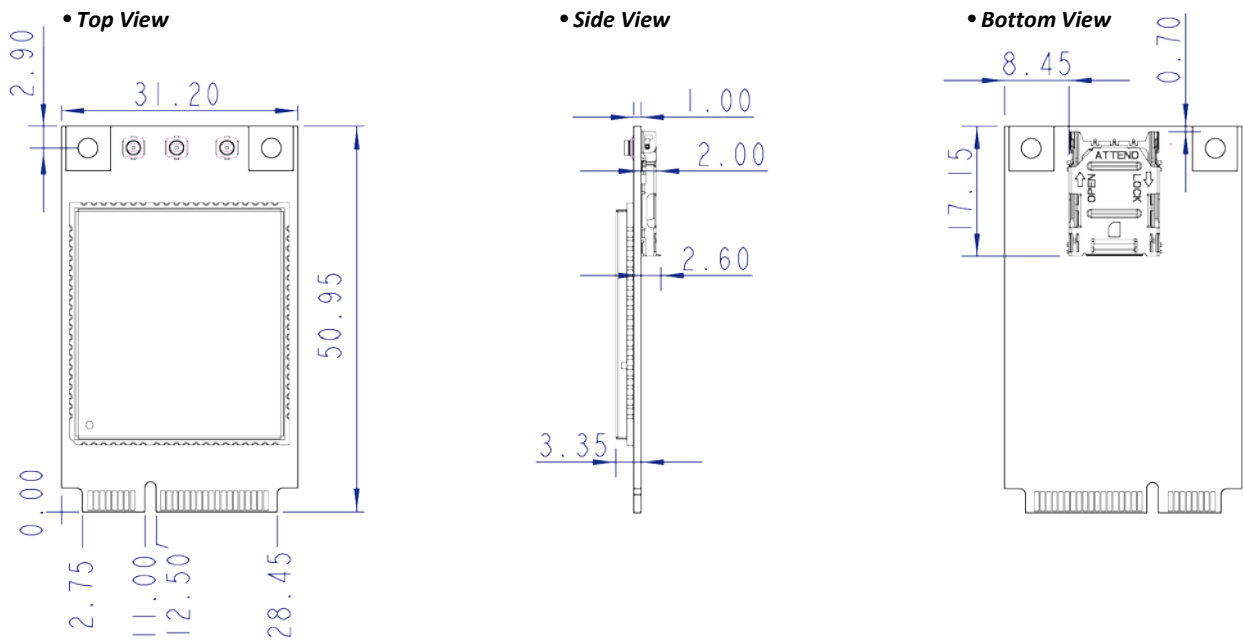
Carrier Approval

- Verizon

Package Accessory

- 1*MDG100-0TU01

Mechanical Drawing (dimension marked in millimeter)



Accessory

Part No.	Description	MOQ (pcs)
11320Y11244A1	External SMA LTE antenna (698-960, 1710-2170, 2300-2700MHz)	100
11400Y11110A1	SMA Female to I-PEX MHF RF cable, 100mm	100
11400Y11134A1	SMA Female to I-PEX MHF RF cable, 150mm	100
70740Y206D000Z1A1	PCIe kit (1x PCIe adapter, 3x RF cables, Full/Half profile slot covers)	50
50540Y205L000Z2A1	Evaluation Board (incl. 2x LTE antenna, USB cable)	1

Note

- PCIe adapter kit is sold separately
- Additional thermal solution may be required
- Specifications are subject to change without prior notice.

AMIT Wireless Inc.

TEL: +886 (0)6 505 8026 FAX: +886 (0)6 505 8068

Web: <http://www.amitwireless.com> Email: sales@amit.com.tw

No. 28, Lane 31, Huandong Rd., Sec. 1, Xinshi Dist., Tainan City 74146, Taiwan (R.O.C.)