

#3610

ANT_Window_ISM_3G_LTE_BT_WiFi_30cm_SMA(m)

Type	LTE Antenna
Frequencies	AMPS (824-894 MHz) ISM (868 MHz) GSM (900 MHz) DCS (1800 MHz) PCS (1900 MHz) 3G (UMTS 2.1 GHz) WIFI / BLUETOOTH (2.4 GHz) LTE (790-860/2500-2690 MHz)
Mounting	Glass Mount
Revision	00



2. SPECIFICATION

2.1. Electrical Specifications

Frequencies	AMPS (824-894 MHz) ISM (868 MHz) GSM (900 MHz) DCS (1800 MHz) PCS (1900 MHz) 3G (UMTS 2.1 GHz) WIFI / BLUETOOTH (2.4 GHz) LTE (790-860/2500-2690 MHz)
Impedance	50 Ohms
Polarization	Horizontal
Gain	2.14dBi
VSWR	<2:1
Power handling	25W
Operating temperature	-40°C to +85°C

2.2. Connection Specifications

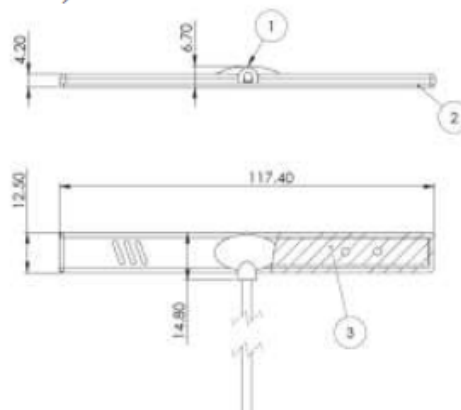
Connector type:	SMA male
Cable:	RG174U
Cable length:	30 cm

For different cable and connector type ask our sales team.

2.3. Mechanical Specifications and Dimensions

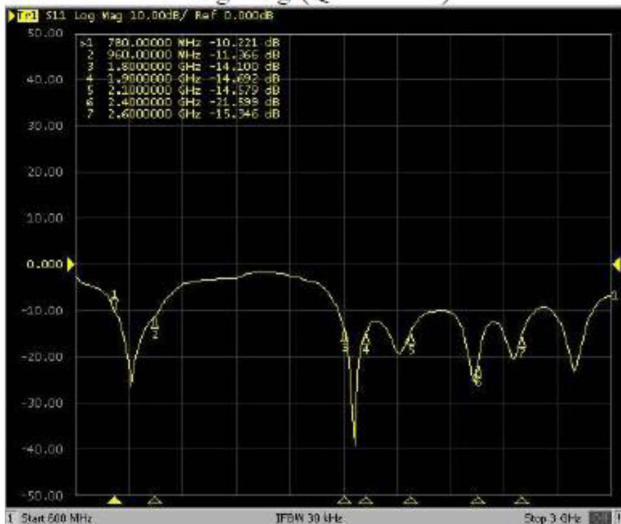
2.3.1. Glass Mount

Material:	PVC
Max. dimensions:	6.7mm x 119mm x 14.8mm (H x L x W)
Weight:	13 g 'weight with 250cm cable length and SMA connector'
Colour:	Black or White(for different colours please ask our sales team)



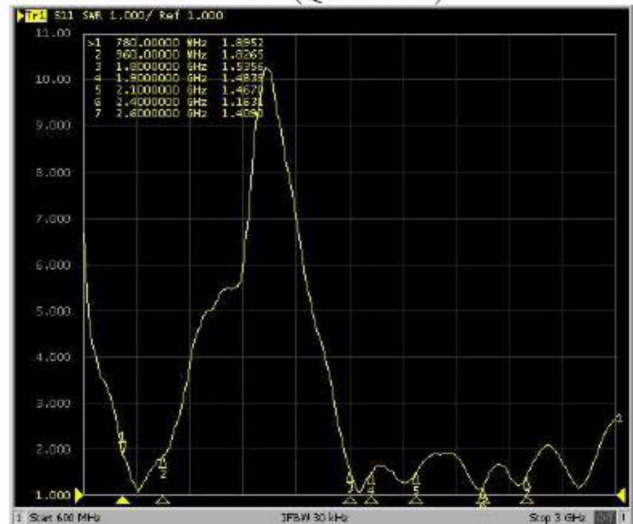
3. MEASUREMENT

Log Mag (Quad Band)



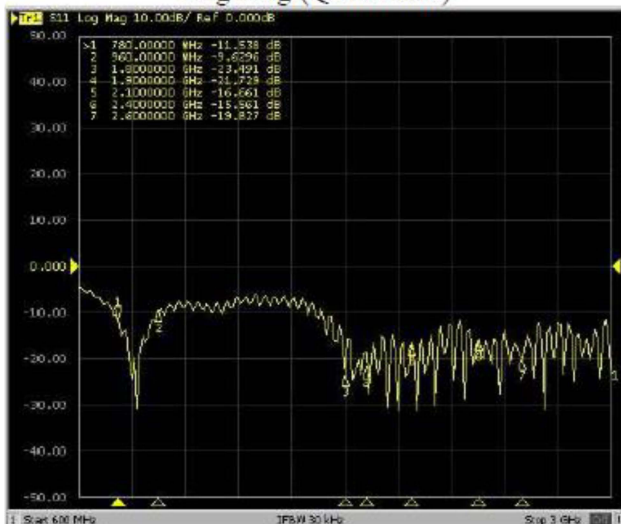
Tested with 30cm cable length and 6mm thin glass.

VSWR (Quad Band)



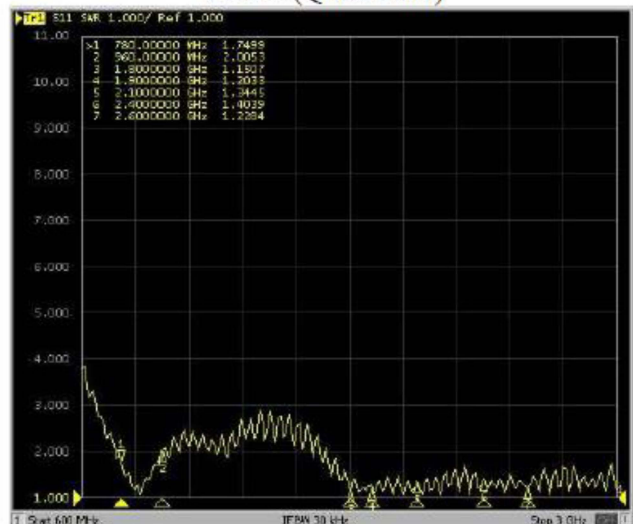
Tested with 30cm cable length and 6mm thin glass.

Log Mag (Quad Band)



Tested with 250cm cable length and 6mm thin glass.

VSWR (Quad Band)



Tested with 250cm cable length and 6mm thin glass.