

GPS Schraubantenne

Key Features

GPS/GLONASS/QZSS/Galileo

- 1575-1606 MHz

Screw Mount

Ground Plane Independent

Customizable Cable and Connector

Dimensions Ø 52 × 17.5 mm

Certificates: IP69K



Note: 19mm Thread is Default Option. See Drawing for other Thread Options available.

m2m Germany GmbH

Am Kappengraben 18-20

61273 Werhheim

TEL: +49 (6081) 587 3860 FAX: +49 (6081) 587 3869

www.m2mgermany.de



1. Antenna and electrical specifications

Passive Parameters	GPS/GLONASS Antenna	
	GPS/QZSS/Galileo	GLONASS
Standards	GPS/QZSS/Galileo	GLONASS
Bands (MHz)	1575	1602
Frequency (MHz)	1575.42	1598-1606
Return Loss (dB)	<=-20	<=-15
VSWR	<=1.2:1dB	<=1.4dB
Efficiency (%)	~65	~68
Peak Gain (dBiC)	~3.6	~3.9
Average Gain (dB)	~1.8	~1.6
Impedance (Ohm)	50	
Radiation Pattern	Hemispherical	

Active Parameters	GPS/GLONASS Antenna	
	GPS/QZSS/Galileo	GLONASS
Standards	GPS/QZSS/Galileo	GLONASS
Bands (MHz)	1575	1602
Frequency (MHz)	1575.42	1598-1606
Impedance (Ohm)	50	
Radiation Pattern	Hemispherical	
Active Gain (dB)	32 dB @ 5V	
Voltage (V)	1.8 - 5.0	
Current (mA)	5 @ 1.8 V, 13mA @ 3.3V, 25mA @ 5V	
Power Consumption (mW)	138 Max	
Connector Type	SMA-Male Standard (Other Connectors Available)	
Cable Length (m)	300cm Standard (Any Cable Length Available)	
Cable Type	RG174 Standard (Other Cables Available)	

m2m Germany GmbH

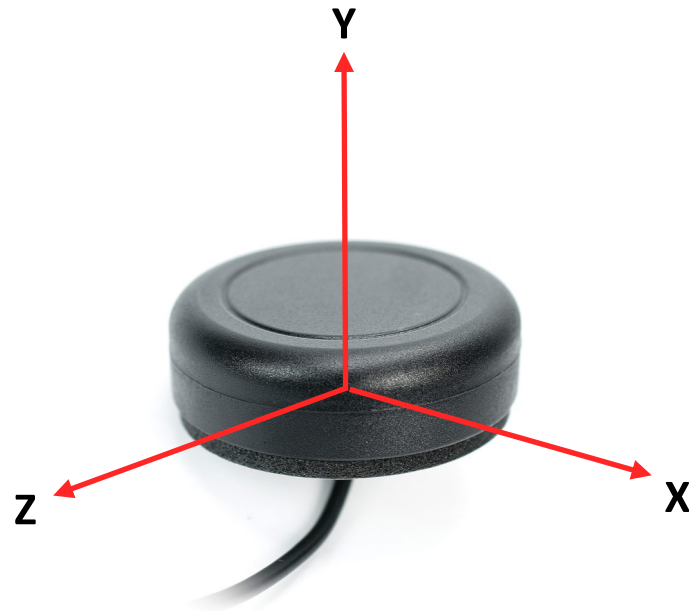
Am Kappengraben 18-20
61273 Werhheim
TEL: +49 (6081) 587 3860 FAX: +49 (6081) 587 3869
www.m2mgermany.de

2. Mechanical and environmental specifications

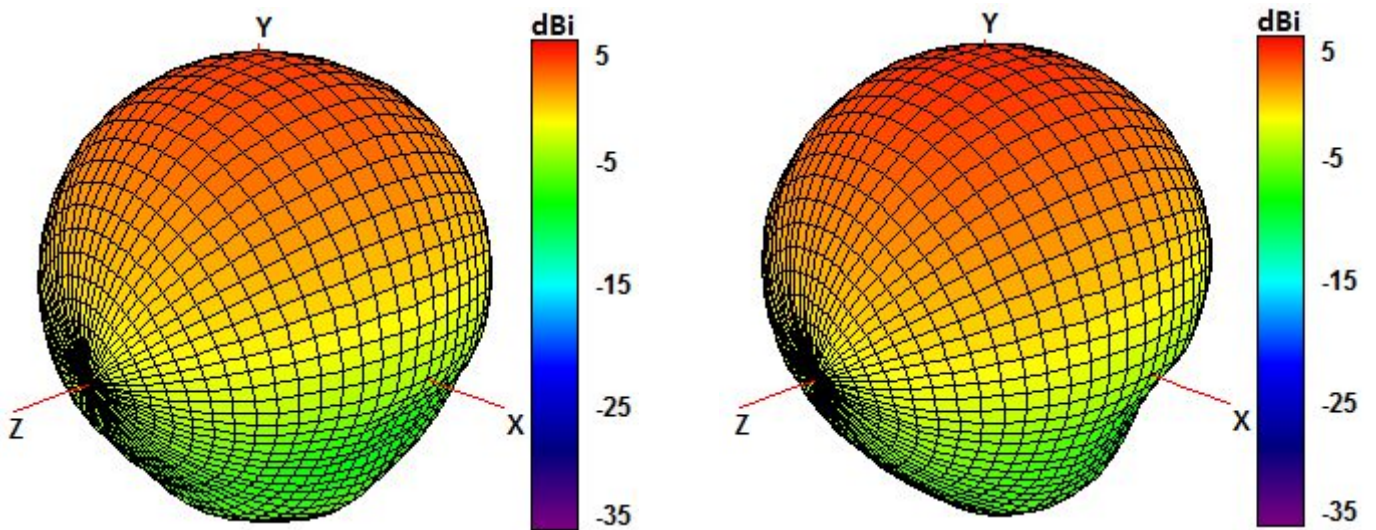
Specifications	
Mounting Type	Screw Mount
Dimensions (mm)	Ø 52 × 17.5
Random Type	ASA
Random Color	Black
Antenna Base	ASA
Operating Temperature (C)	-40 to +85
Storage Temperature (C)	-40 to +85
Certificates	IP69K
Substance Compliance	RoHS

m2m Germany GmbH

Am Kappengraben 18-20
61273 Werhheim
TEL: +49 (6081) 587 3860 FAX: +49 (6081) 587 3869
www.m2mgermany.de



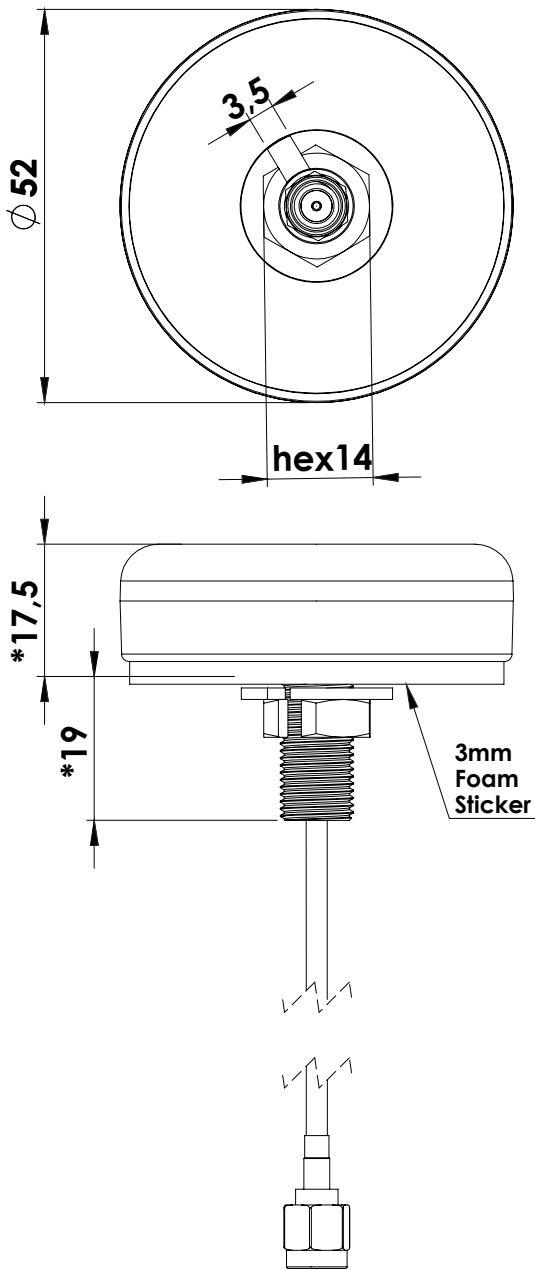
Radiation pattern reference



1575 MHz and 1600 MHz Radiation pattern

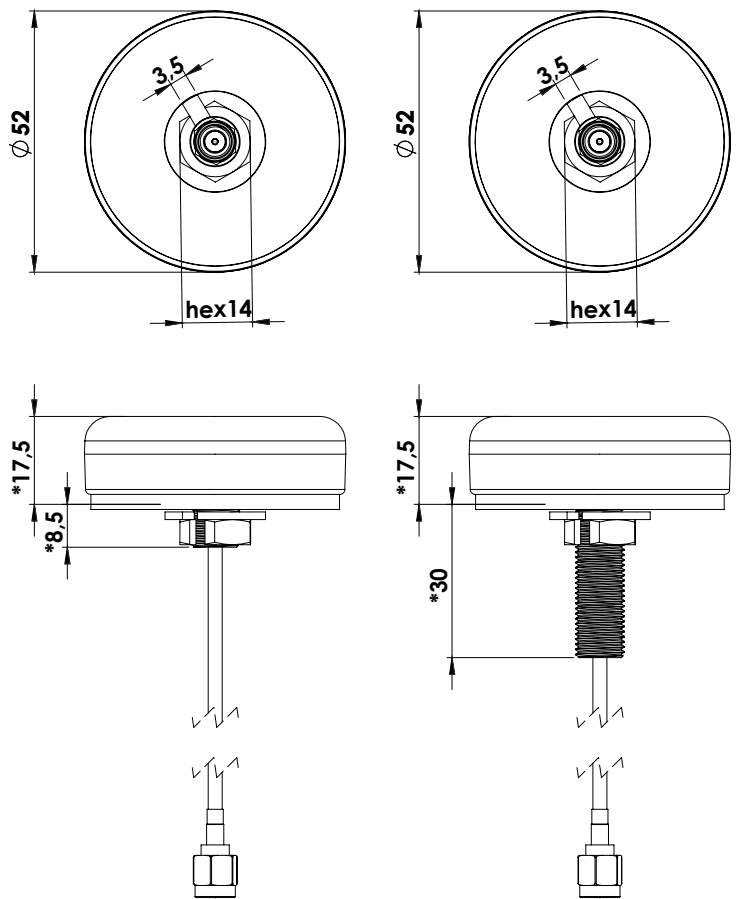
4. Antenna drawings

Default Thread Option



19 mm Thread
Default Option

Other Thread Options available



8,5 mm Thread

30 mm Thread

m2m Germany GmbH

Am Kappengraben 18-20
61273 Werhheim
TEL: +49 (6081) 587 3860 FAX: +49 (6081) 587 3869
www.m2mgermany.de

***Dimensions after mounting**

5. Antenna Images



m2m Germany GmbH

Am Kappengraben 18-20
61273 Werhheim

TEL: +49 (6081) 587 3860 FAX: +49 (6081) 587 3869
www.m2mgermany.de