

ANT Screw-Mount 2G/3G/4G 3m SMA(m)

Key Features

CELLULAR / LTE

- 698-960 MHz
- 1710-2170 MHz
- 2500-2700 Mhz

Screw Mount

Anti-Rotation Mechanism

Ground Plane Dependent

Customizable Cable and Connector

IP67, IK09, IP69K

Dimensions Ø 77.3 × 65.5 mm



1. Antenna and electrical specifications

Parameters	CELLULAR / LTE Antenna		
Standards	2G,3G and 4G		
Band (MHz)	700/850/900	1700/1800/1900/2100	2600
Frequency (MHz)	698-960	1710-2170	2500-2700
Return Loss (dB)	~-10.3	~-14.8	~-15.1
VSWR	~2.1:1	~1.5:1	~1.5:1
Efficiency (%)	~52	~62	~50
Peak Gain (dBi)	~-0.7	~3.4	~4.0
Average Gain (dB)	~-2.9	~-2.1	~-3.0
Impedance (Ohm)	50		
Polarisation	Linear		
Radiation Pattern	Omni-Directional		
Max. Input Power (W)	25		
Connector Type	SMA-Male (Other connectors available)		
Cable Length	300 cm (Customizable length available)		
Cable Type	DACAR 302 (Other cable type available)		

Antenna Measurement Conditions:

Mounted on 30 x 30 cm Ground Plane

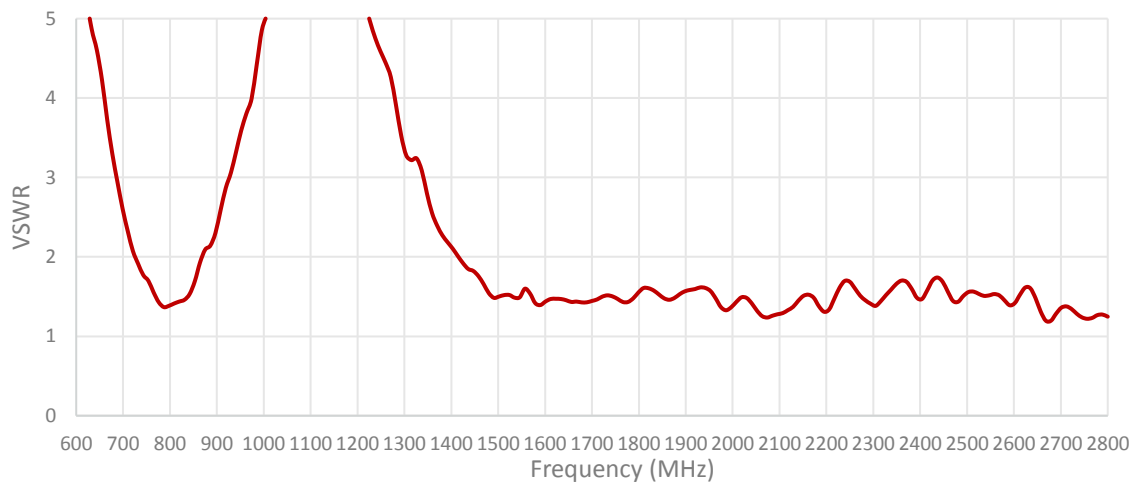
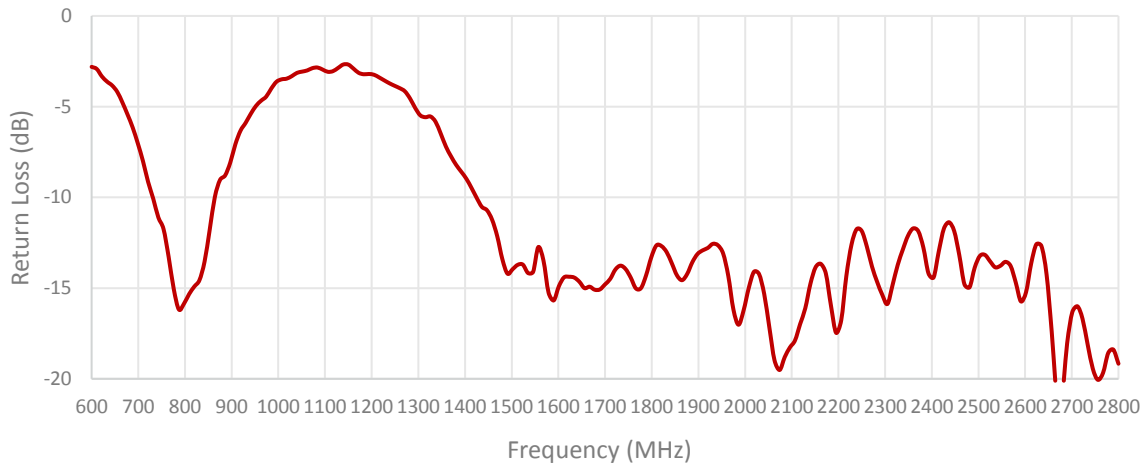
DACAR302 200 cm Cable Length

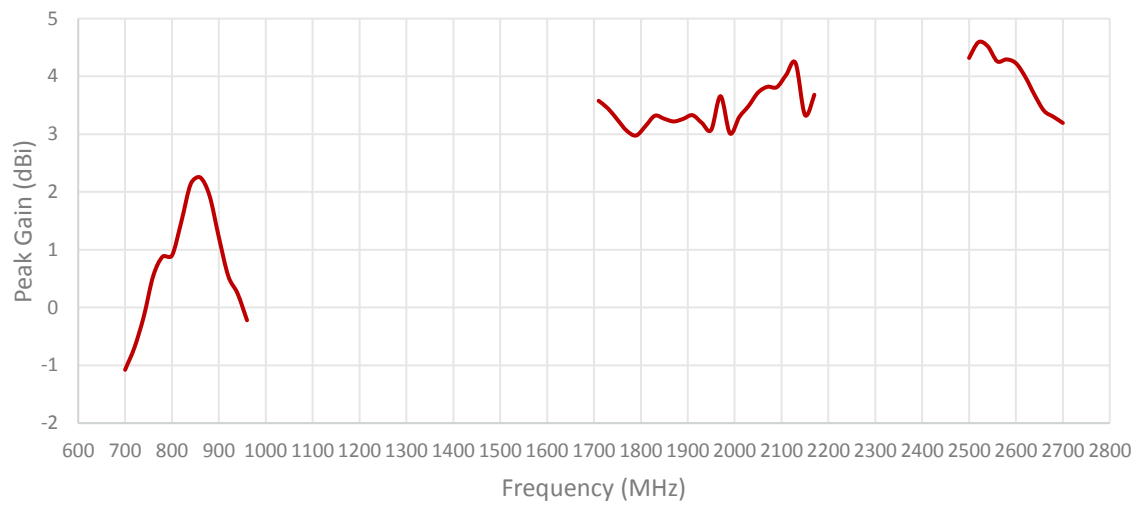
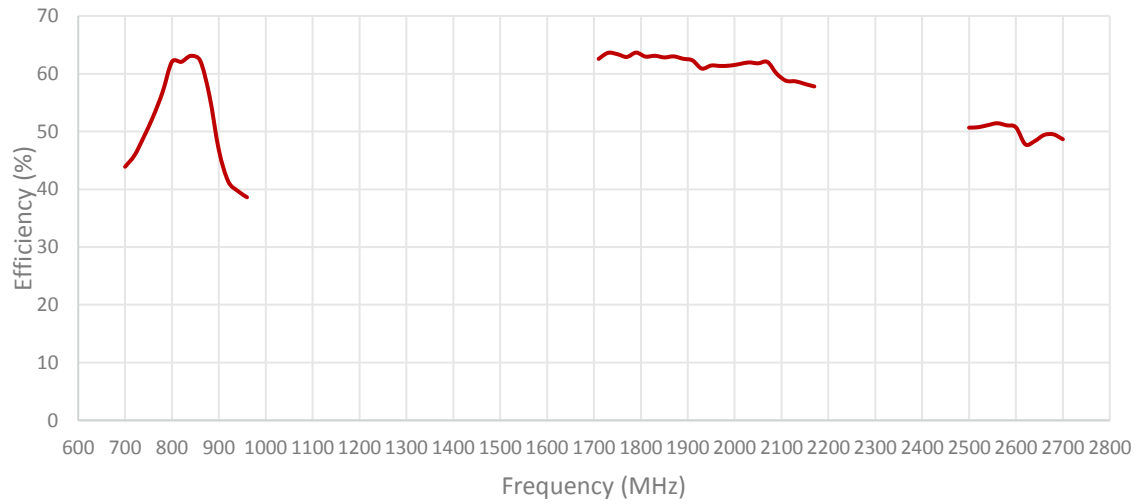
Measured in Certified CTIA 3D Anechoic Chamber

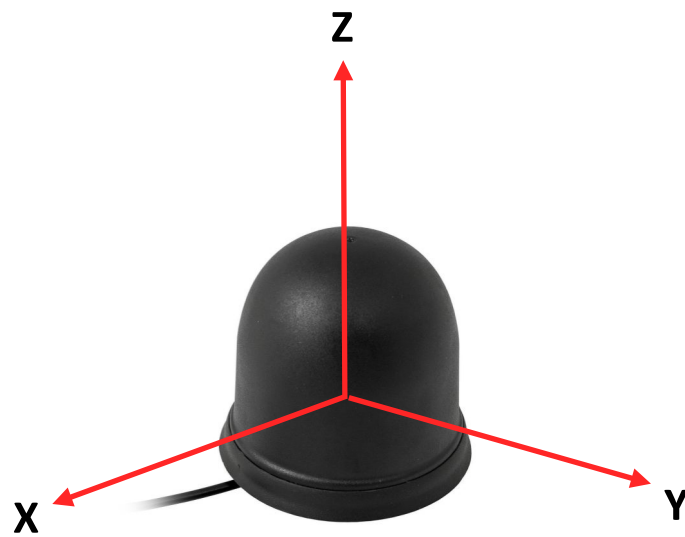
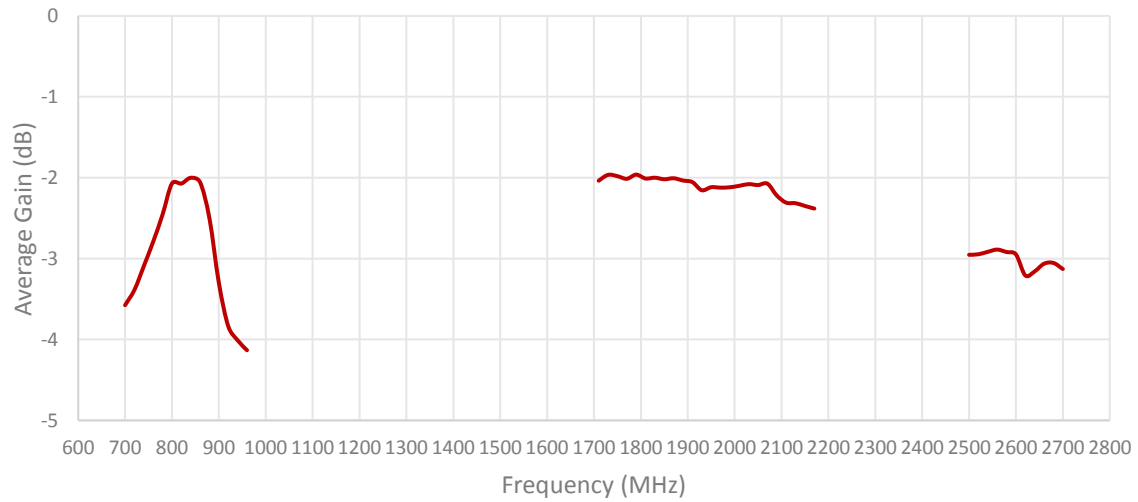
2. Mechanical and environmental specifications

Specifications	
Mounting Type	Screw Mount
Dimensions (mm)	Ø 77.3 × 65.5
Radome	ASA
Radome color	Black
Antenna Base	Zamak
Gasket	TPE
Operating Temperature (C)	-40 to +85
Storage Temperature (C)	-40 to +85
Substance Compliance	RoHS
Certificates	IP67, IK09, IP69K

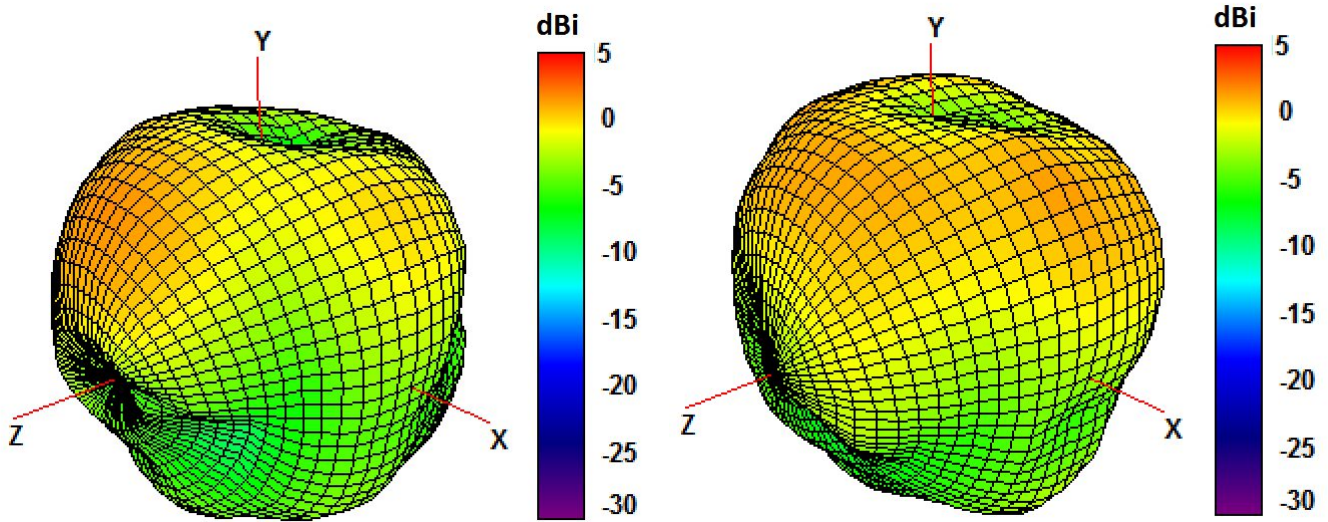
3. Antenna parameters



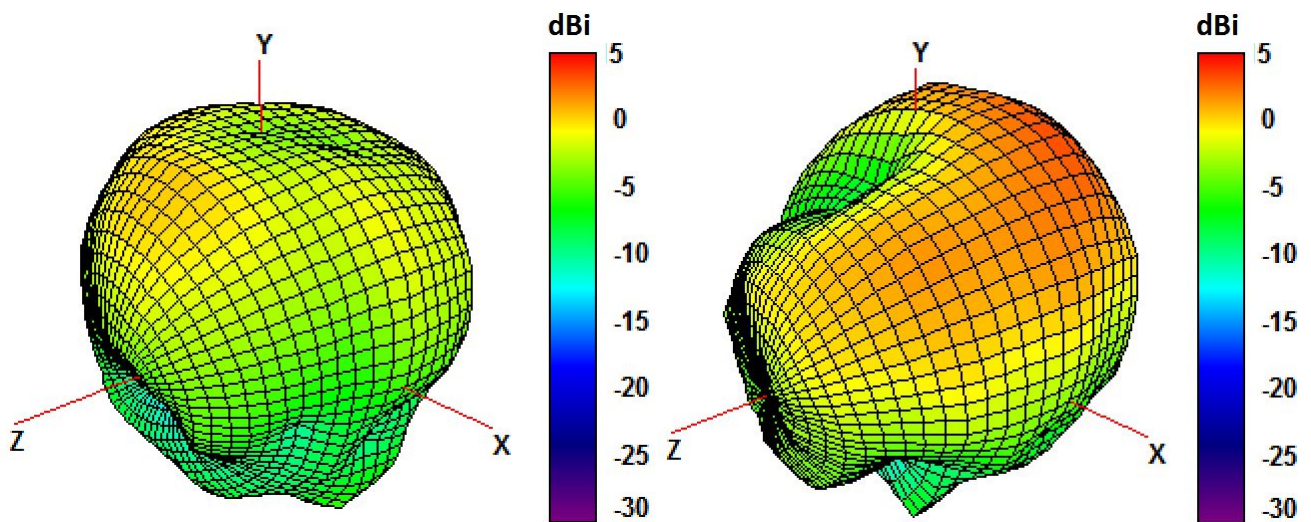




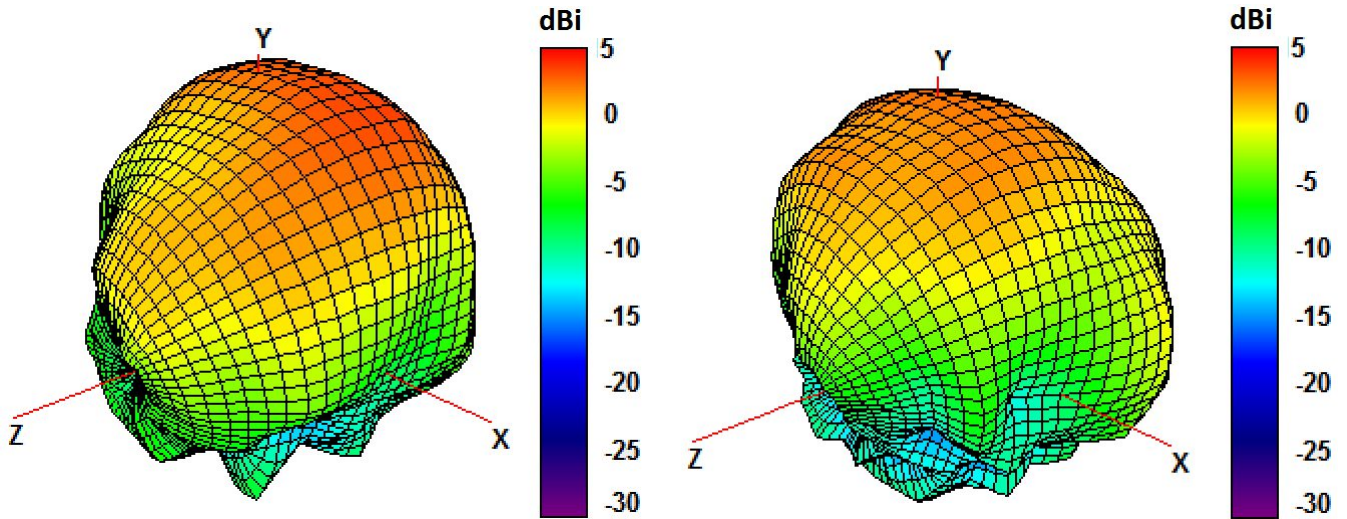
Radiation pattern reference



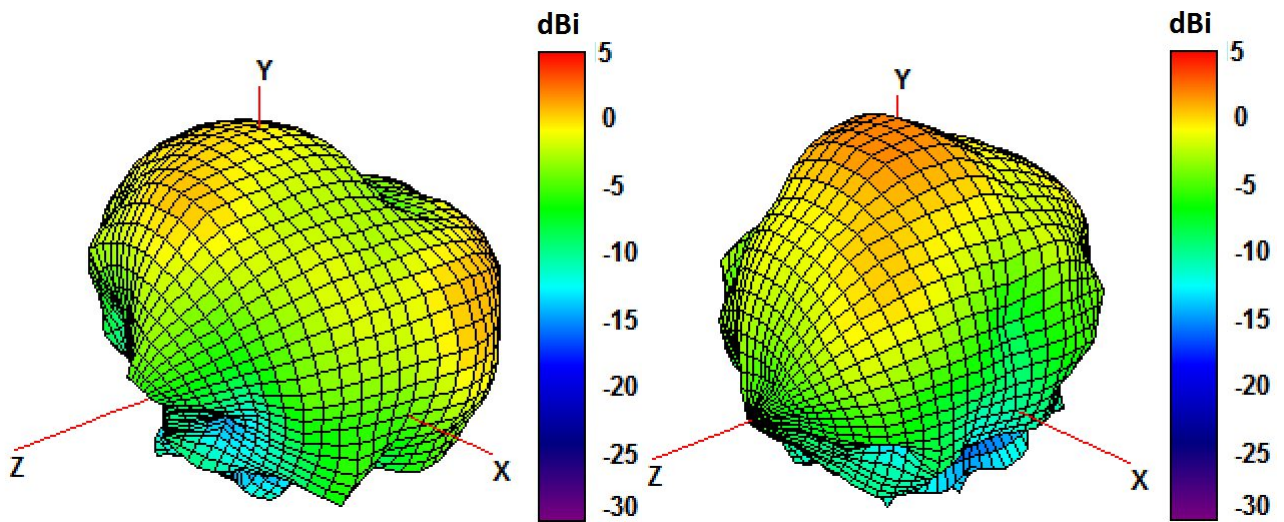
750 and 850 MHz Radiation pattern



940 and 1750 MHz Radiation pattern

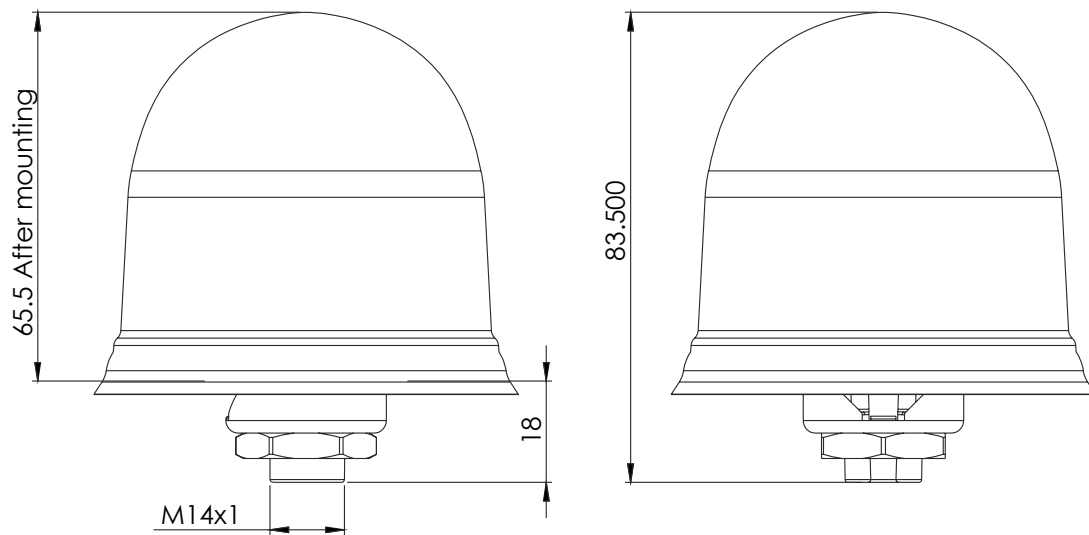
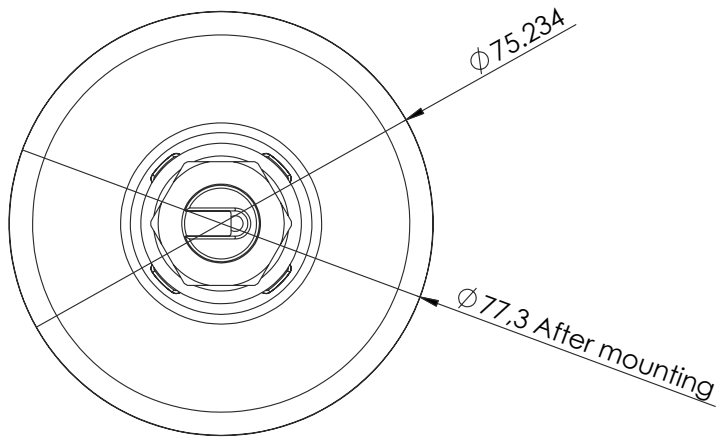


1850 and 1950 MHz Radiation pattern



2100 and 2600 MHz Radiation pattern

4. Antenna drawings



5. Antenna Images

