

# LoRa Wandantenne (DATASHEET)

<b>Type</b>	Wall mount ISM antenna
<b>Frequencies</b>	ISM (868-875 MHz)
<b>Mounting</b>	Wall Mount
<b>Revision</b>	00



M. German



# 1. SPECIFICATION

## 1.1. Electrical Specifications

### Mobile (Cable 1)

Frequencies	ISM (868-875 MHz)
Impedance	50 Ohms
Polarization	Vertical
Gain*	2.2 dBi Max
Power Handling	50 W
VSWR*	<2:1

\*Stated when measured with 0,3m of RG58

## 1.2. General Specifications

Operating temperature	-40°C to +85°C
-----------------------	----------------

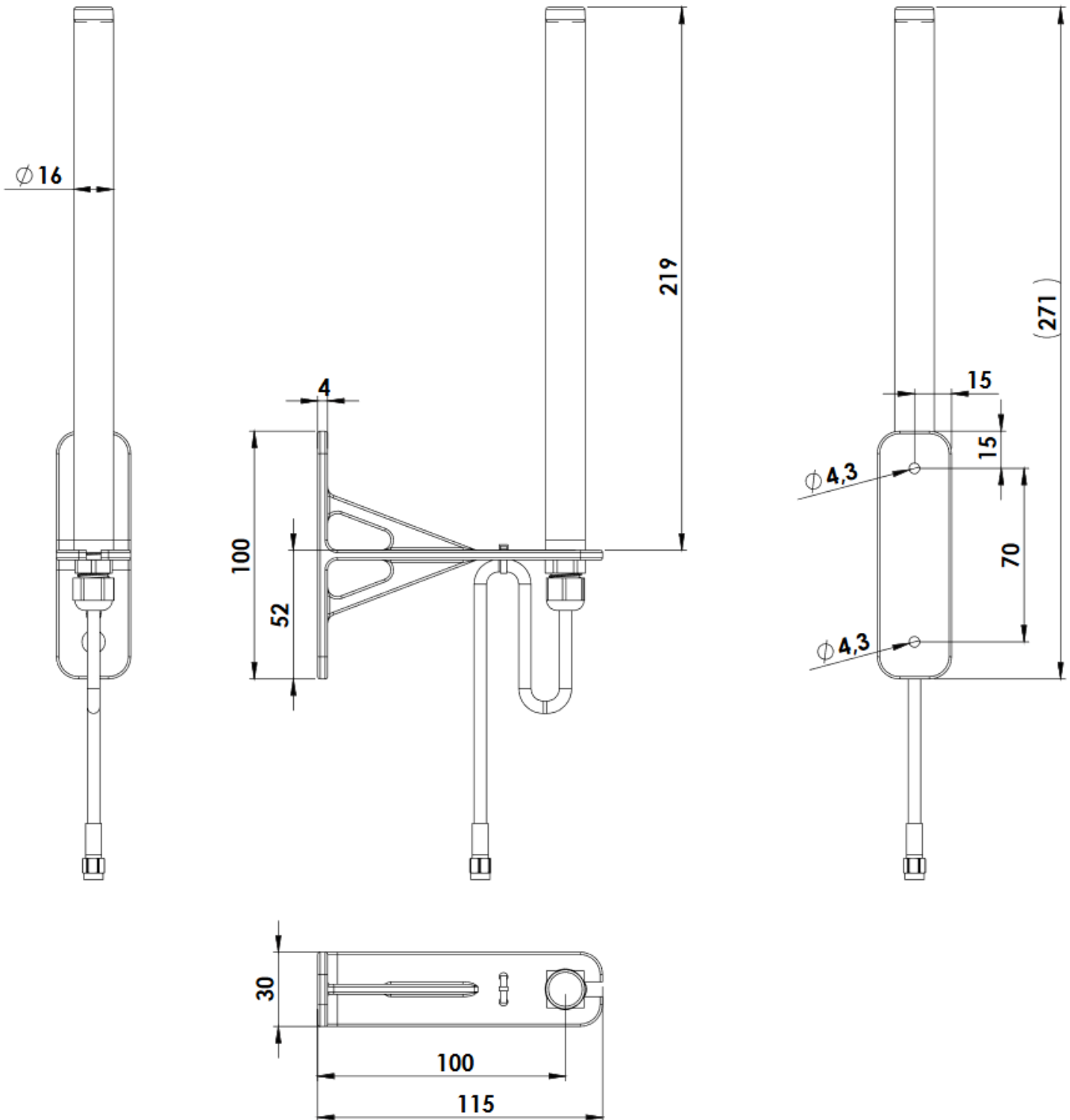
## 1.3. Connection Specifications

Connector type:	FME Male
Cable:	RG58
Cable length:	Upon request

For different cable length and connector type ask our sales team.

## 1.4. Mechanical Specifications and Dimensions

Material:	Radome: PC/ABS UV Stable / Bracket: PC/ABS UV Stable
Dimensions (mm):	271 × 30 × 115 (219 × Ø 16)
Color:	Black (for different colors please ask our sales team)



## 2. MEASUREMENT

- Measured with 30cm RG58 cable
- Free Space
- DAMS positioner with AUT and reference antenna are placed in Anechoic Chamber

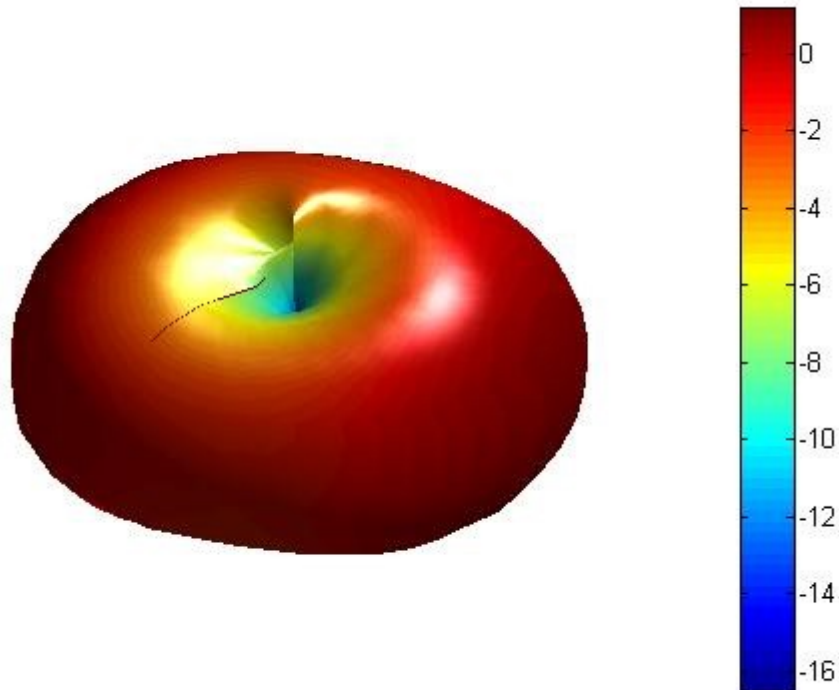
VSWR (ISM 868MHz)



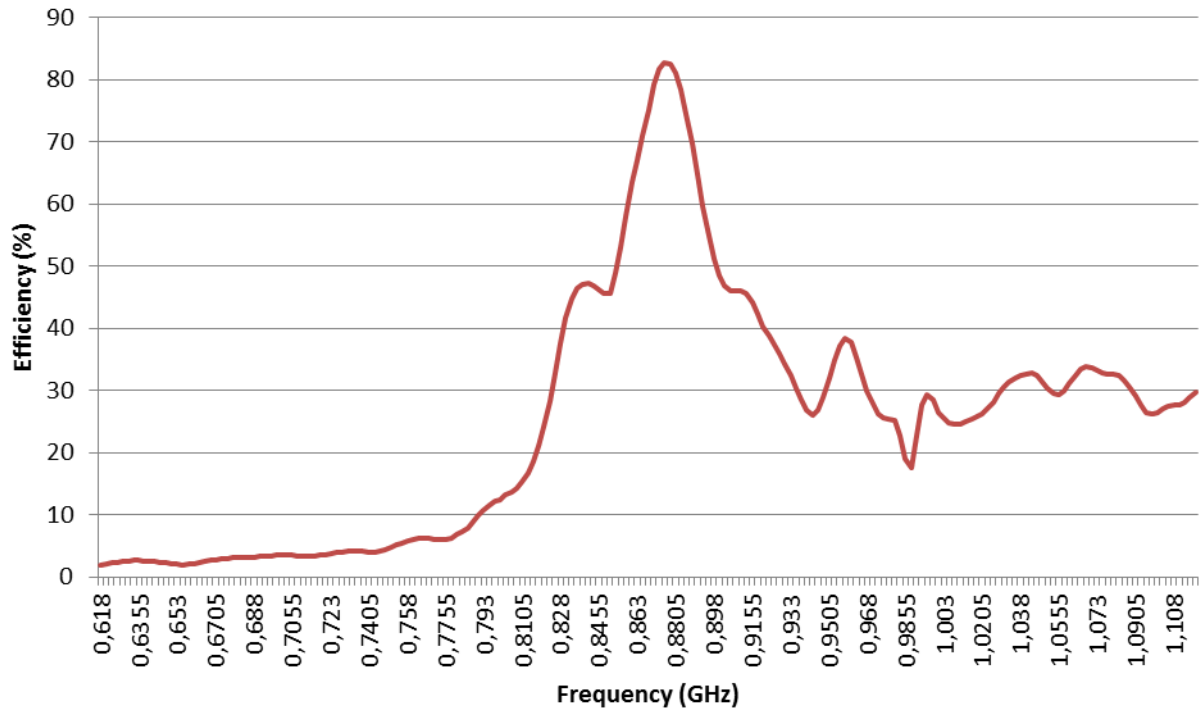
Log Mag (ISM 868MHz)



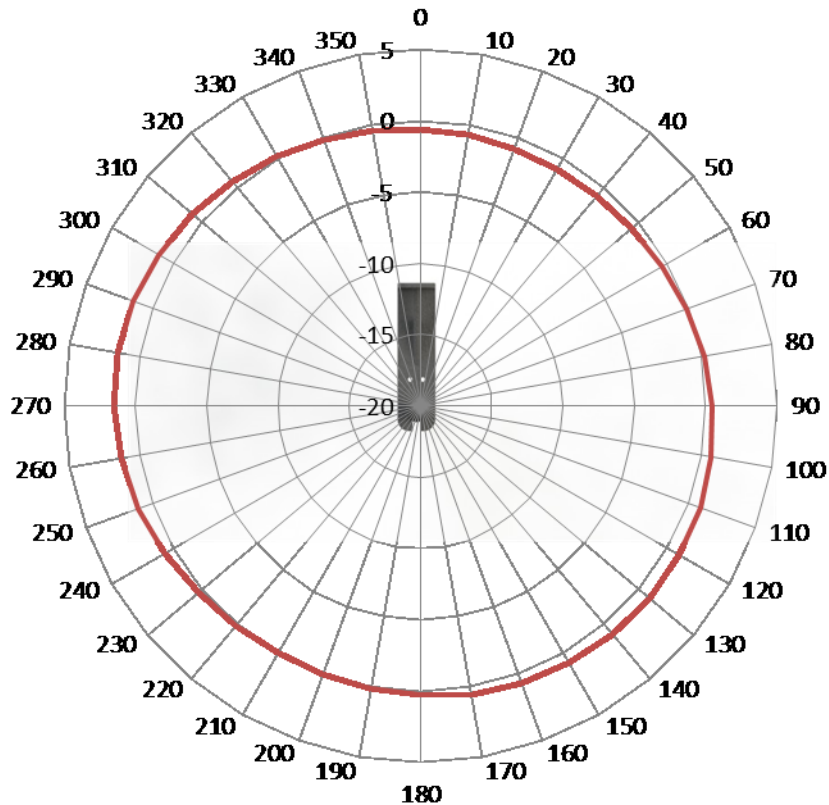
3D radiation pattern  
 Freq = 0.8680GHz Az= 45 EL= 45



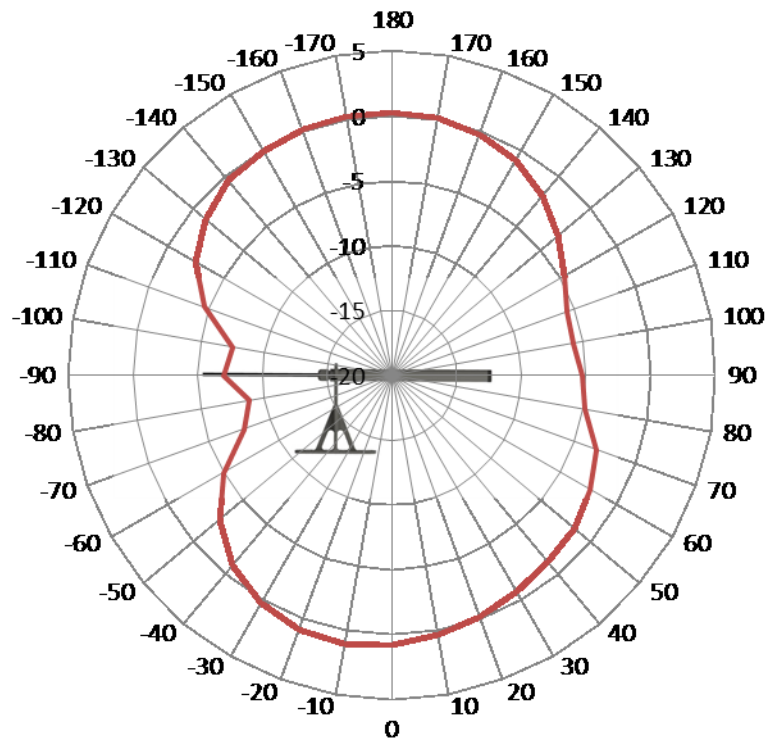
## Efficiency



## Azimuth cut



## Elevation



### 3. IMAGES



