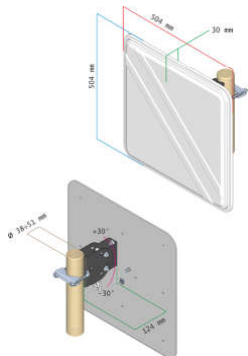


14 dbi LoRa Antenne für Helium Hotspots (direktional)

Diese Richtantenne ist konzipiert für Verbindungen über sehr lange Distanzen und eignet sich besonders für Helium/LoRa Netzwerke aber auch Sigfox.

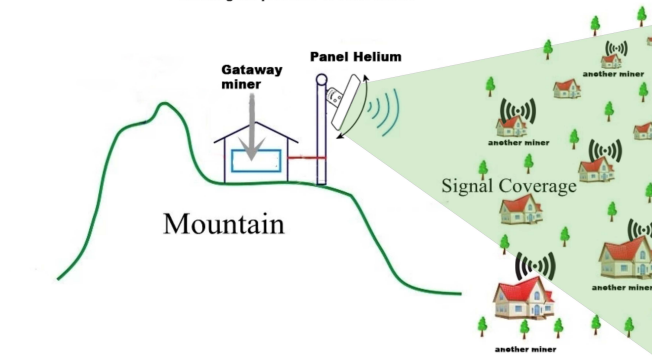
Es handelt sich um eine sorgfältig entworfene und konstruierte Richtantenne, die im lizenzfreien ISM-Band arbeitet. Sie ist pulverbeschichtet und eignet sich für den Einsatz im Außenbereich.

- Energy (wind, solar panels),
- Intelligence Home
- Internet of Things
- Irrigation,
- Telemetry,
- RF sensor networks
- tracking people and objects
- geolocation,
- safety of workers.



Proof of Coverage

Checking the presence of other miners



electrical

Frequency (min)	790MHz
Frequency (max)	880MHz
Gain	a. 14dBi
VSWR (max)	2.00:1
Polarization	Horizontal or Vertical
Half Power Beam Width (-3dB) - horizontal	a. 30°
Half Power Beam Width (-3dB) - vertical	a. 30°
FBR (Front/Back Ratio)	>20dB
XPD (Cross Polarization Discrimination)	>21dB
Max Composite Power	300W
DC Ground	yes
Impedance	50Ω

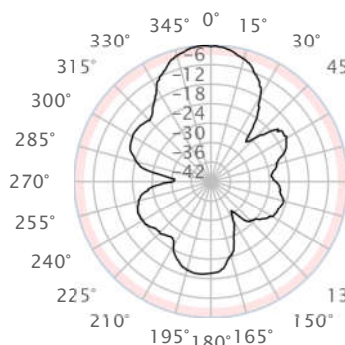
mechanical

Connector	N female
Mounting Diameter	ø 38...51mm
Dimensions (excl. mount)	504x504x30
Weight (incl. mount)	2.80kg

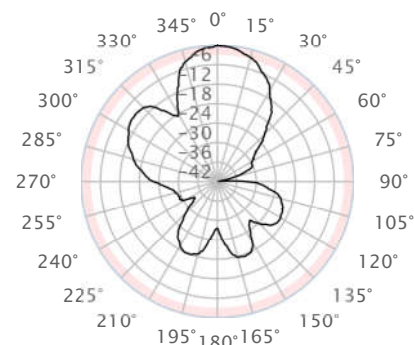
enviromental

Enviroment	Outdoor
Windload	130km/h
IP Rating	IP65
Temperature	-40°C ... 80°C

RPE – HORIZONTAL



RPE – VERTICAL

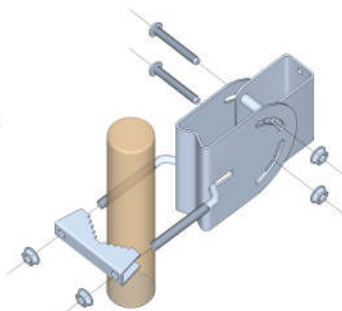


Installation tips:

Fine adjustment of the antenna ensures the correct propagation of radio signals. Proper installation of the mast, antenna and cable provide a stable and proper operation of the antenna installation.

- Level mast or boom using a bubble leveler.
- Assemble the antenna mount as on drawing.
- Level mast or boom using a bubble leveler.
- Assemble the antenna mount as on drawing.
- Mount antenna on the mast.
- Level the mast or boom, check antenna vertical position. Vent holes should be located at the bottom of the antenna. Screw the antenna to the mast, leaving slack in the adjustment of direction and inclination.
- Determine the direction and inclination.
- Finally tighten the mounting screws.
- Connect cable and insulate antenna connector.
- Fasten cable to the mast or boom.

It is worth to note achieved link parameters.



VSWR: IP-G16-F8688-HV Ver.3
500new_final_vswr

