

SC806 SOC Smart Module

Perfect Wireless Experience



Qualcomm Quad Core



1280 x 720 60fps



WiFi 802.11 b/g/n

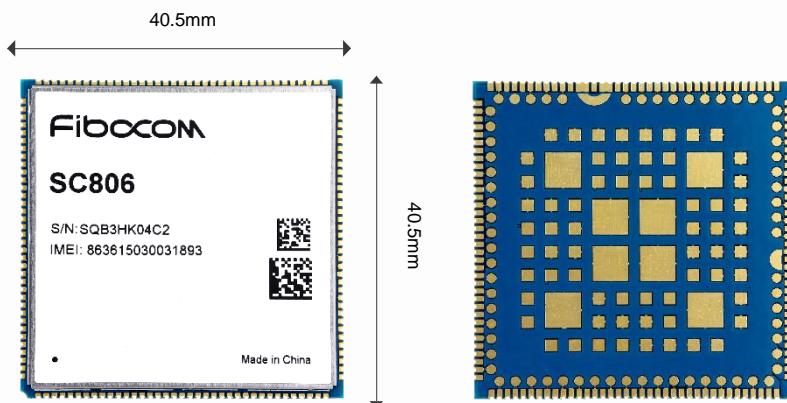


BT 4.1/ 4.2 BLE



GPS/GLONASS/Beidou

The SC806 series is an LTE Cat 4 intelligent module designed with the Qualcomm MSM8909 platform as the basis with a smart and open Android operating system. The SC806 series is available in five versions, and covers the network bands major carriers worldwide, including SC806-CN/ SC806-AM/ SC806-AB/ SC806-AE/ SC806-W (Supports Wi-Fi & BT only). The module, LCC+LGA packaged for easy patching, integrates core components such as baseband, EMCP, PMU, tranceiver and PA, and supports long-distance communication modes such as FDD-LTE/TDD-LTE, WCDMA, TDS-CDMA, CDMA, CDMA2000-EVDO and GSM and short-distance 2.4G+5G wireless transmission technologies like WiFi/Bluetooth. With built-in LNA, it supports GNSS wireless positioning technology. In addition, the module has rich extension interfaces such as UART/SPI/I2C/USB to be connected to an HD touch screen, and supports front and rear cameras. As an excellent solution for the core system of wireless intelligent products worldwide, this product can be widely used in smart wireless payment, smart robot, smart home, smart city and other industries.





SC806 SOC Smart Module

Perfect Wireless Experience

SC806 SOC Smart Module Technical Specifications

Product Feature

- Dimensions: 40.5mm x 40.5mm x 2.85mm
- Package: 146 LCC + 64 LGA pin
- CPU: Qualcomm Quad Core Processor 1.1GHz
- DDR: 1GB LP-DDR3
- Flash: 8GB eMMC
- Operating temperature: -30~ +70°C
- Operating voltage: 3.3~4.5V
- Weight: 9.2g

Multi-Media

- GPU: Adreno™ 304 GPU
- Display: 1280 × 720
- Video Dec: 1080p@30
- Video Enc: 720p@30
- Camera: 8Mpix + 2Mpix
- Audio: Analog Audio

Network	SC806-AE	SC806-AB	SC806-AM	SC806-CN	SC806-W
LTE-FDD	B1/B3/B5/B7/B8/B20	B1/B3/B5/B7/B8/B28	B2/B4/B5/B12/B13/B17	B1/B3/B5/B8	
LTE-TDD	B38/B40/B41	B40		B38/B39/B40/B41	
UMTS	B1/B2/B3/B5/B8	B1/B2/B5/B8	B2/B4/B5	WCMDA B1/B8 Support HSUPA/HSPA+	
CDMA/EVDO	BC0/EVDO Rev.A			BC0/EVDO Rev.A	
TD-SCDMA				B34/B39	
GSM/EDGE	850/900/1800/1900MHz	850/900/1800/1900MHz		900/1800MHz	
WIFI	802.11 a/b/g/n, 2.4G+5G	802.11 a/b/g/n, 2.4G+5G	802.11 a/b/g/n, 2.4G+5G	802.11 b/g/n, 2.4GHz	802.11 a/b/g/n, 2.4G+5G
BT	BT 4.1 /4.2 BLE	BT 4.1 /4.2 BLE	BT 4.1 /4.2 BLE	BT 4.1 /4.2 BLE	BT 4.1 /4.2 BLE
GNSS	GPS/GLONASS/Beidou	GPS/GLONASS/Beidou	GPS/GLONASS/Beidou	GPS/GLONASS/Beidou	
Area	Europe/Asia	Australia&Brazil	North American	China	WIFI
Cert.	RoHS/CE/GCF	RoHS/CE/RCM*	RoHS/FCC/PTCRB*/AT&T*/Verizon*	RoHS/CCC	

Data

- FDD-LTE: Max 150Mbps(DL)/50Mbps(UL)
- TDD-LTE: Max 130Mbps(DL)/30Mbps(UL)
- UMTS/HSPA/HSPA+: 3GPP R6 HSUPA: Max 5.76Mbps(UL)
3GPP R8 HSPA+: Max 42Mbps(DL)
- TD-SCDMA: 3GPP R8 Max 4.2Mbps(DL)/2.2Mbps(UL)
- CDMA EVDO: Max 3.1Mbps(DL)/1.8Mbps(UL)
- EDGE/GPRS(Kbps): EDGE: Max 296Kbps(DL)/236.8Kbps(UL)
GPRS: Max 107Kbps(DL)/85.6Kbps(UL)

Interface

- UART/SPI 2 x UART Up to 4Mbps, 1x SPI, I2S
- I2C 2 x I2C Up to 3.4Mbps
- USB 1 x USB2.0 up to 480Mbps, Support OTG
- SDIO 1 x SD3.0
- CAM 1 x MIPI CSI-2 (up to 8Mp CSI-2 2lanes)
1 x MIPI CSI-2 (up to 2Mp CSI-2 1lane)
- GPIO 24 x GPIO
- Display 1 x MIPI DSI- 4lanes 720P
- USIM 2 x USIM, 3.0V/1.8V

Operating System

- Android 5.1/7.1

*=Planning

Copyright © Fibocom Wireless Inc. | Subject to changes in technology, design and availability | E-mail : market@fibocom.com | Tel : +86 755-2673 3555