

LoRa® Indoor/Outdoor Antenna 6dBi

860MHz - 870MHz 6dBi Omni-Directional Outdoor Antenna



Hauptmerkmale

- 860MHz - 870MHz Frequency Band
- IEEE 802.22 WRAN
- Point to Point Bridge
- Multipoint Application
- Bluetooth
- Public Wireless Hotspot
- Wireless Video Systems

Spezifikation

Electrical Specifications

Frequency Range	860MHz - 870MHz
V.S.W.R (MAX)	868MHz: <1.8 :1
Antenna Type	Omni
Radiation	Directional
Gain	6 dBi
Polarization	Vertical
Maximum Power	100 Watts
Vertical Beam-width	75 Deg
Horizontal Beam-width	360 Deg
Impedance	50 Ohm
Antenna Design	Dipole Array
Internal Material	Copper
Connector	N-Female

Mechanical Specifications

Length x Width (MAX)	1094mm
Diameter (MAX)	70x55 mm
Antenna Weight (G.W)	540g
Accessories (G.W)	70 g
Application	Indoor / Outdoor
Radome Material	White Fiberglass
Paets Material	Aluminum
Mount Style	Pole Mount / Wall Mount
Mounting	Stainless Steel and Aluminum
Wind Survival	Greater then 150MPH
Storage Temperature	-20 to +80
Operating Temperature	-20 to +60
Operating Humidity	10%~80% non-condensing
Storage Humidity	5%~80% non-condensing
Safety, Emission and other	RoHS

RF Chamber Test Report

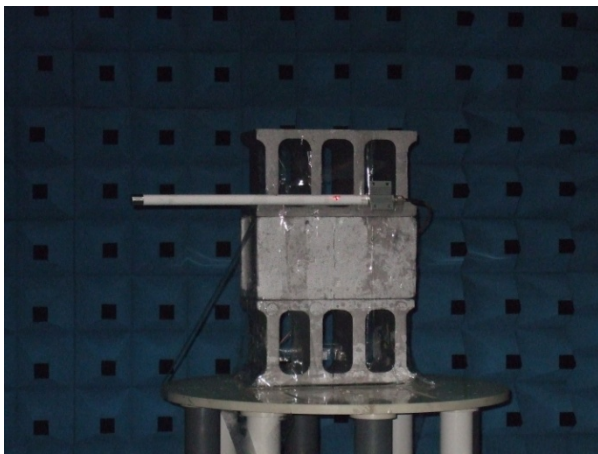
Accessories



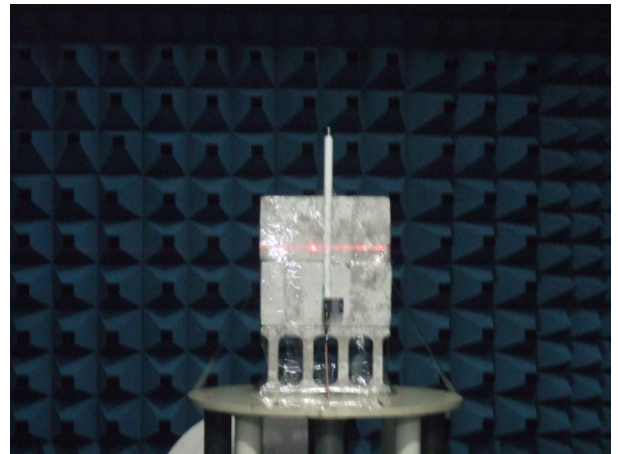
- Stainless steel "U type" screw X2**
- M6 Stainless steel screw mat slice X 4**
- M6 Stainless steel screw X 4**
- Water proof tape X 1**

Test Equipment	Agilent 8720ET 50MHz-20.5GHz
Chamber	14M(L) X 7M(D) X 7M(H)
Test Frequency	860MHz - 870MHz
Than Antenna	FT-RF HA-07M18G-NF

Vertical Pattern Photos

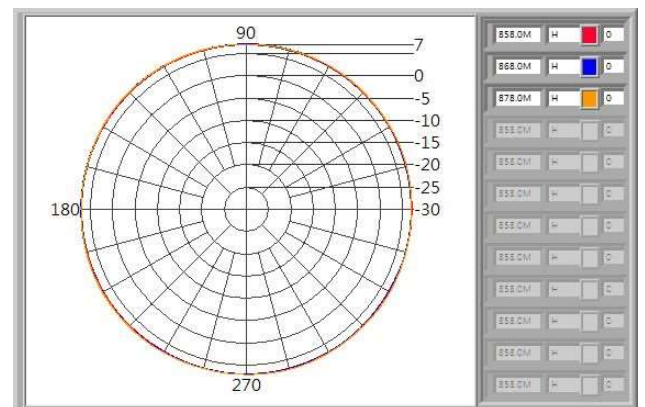
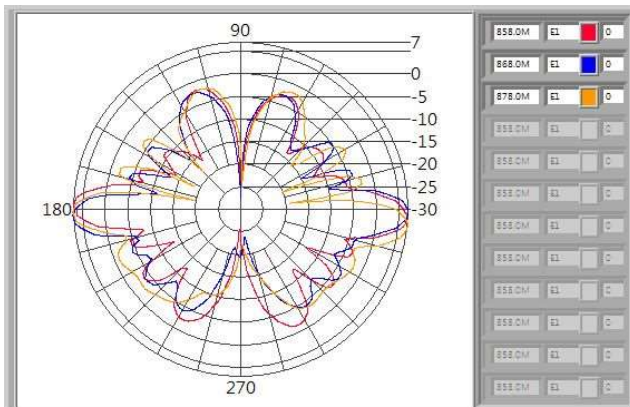


Horizontal Pattern Photos



Vertical Pattern

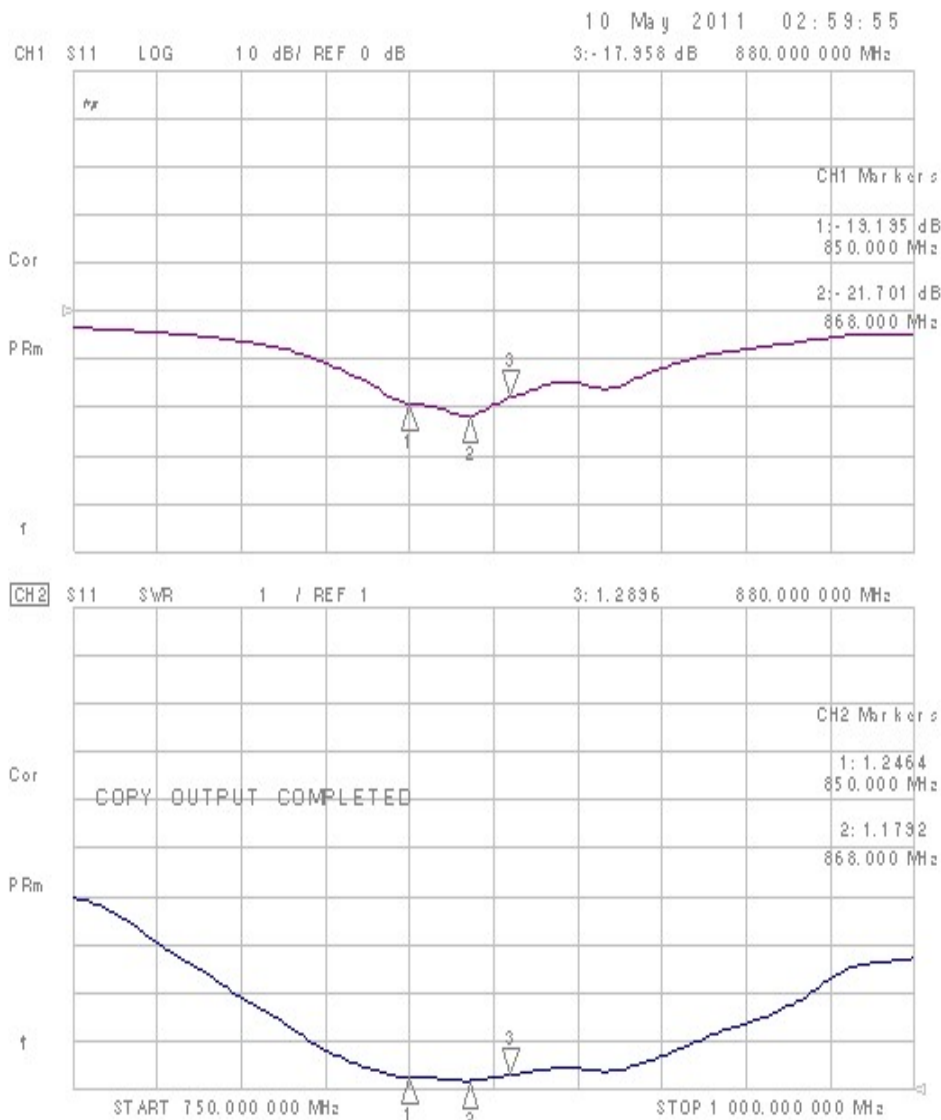
E-plane co-pol ----- -3dB beam-width=25 Deg



Network Analyzer Test Report

Test Equipment	Agilent 8720ET 50MHz-20.5GHz
Test Equipment Cable	Agilent 60cm SMA Male to SMA Male
RF connector Adapter	Agilent SMA-Female to N-Male DC~18GHz
Correction	85052D-DC-26.5GHz
Test Port	S11

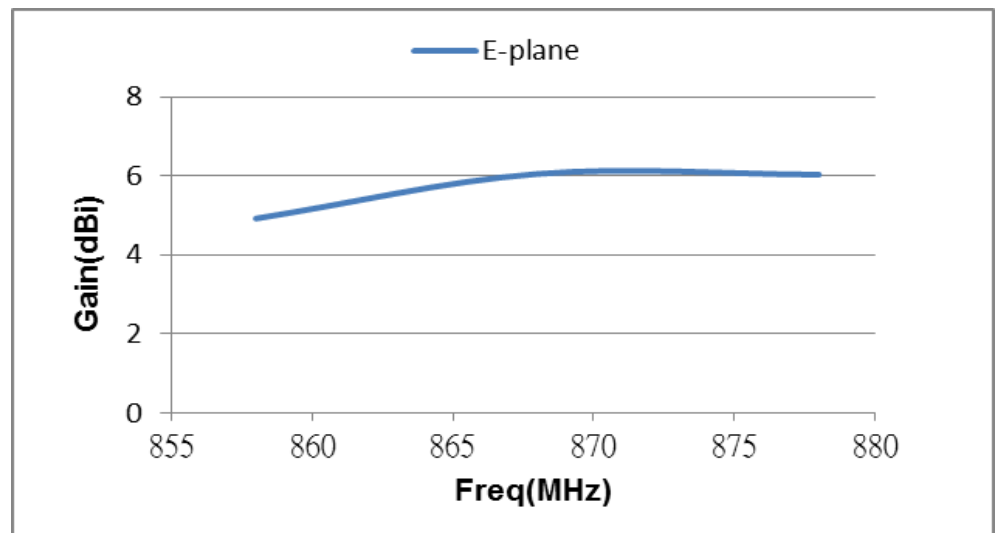
Return Loss & V.S.W.R



Antenna Gain Curve

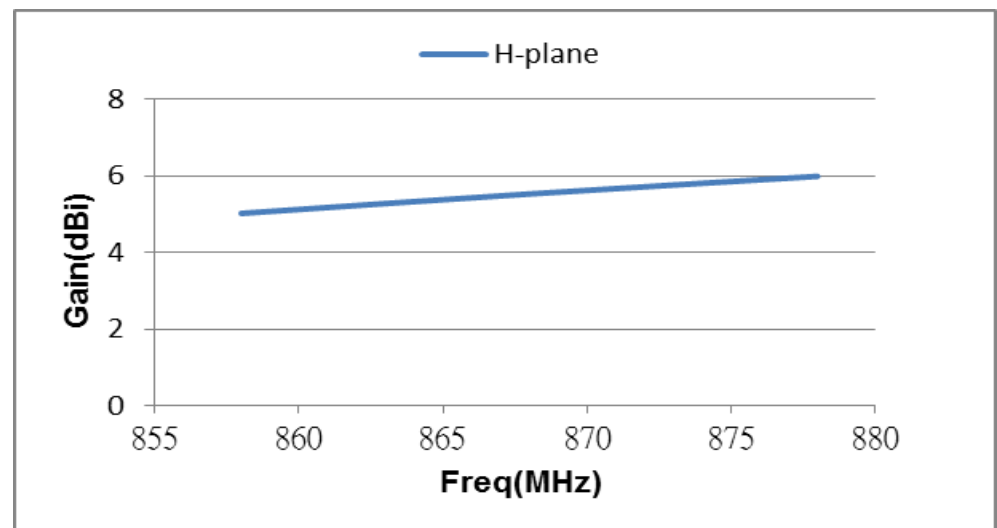
E-Plane

MHz	dBi
858	4.92
868	6.05
878	6.03
Average	5.67



H-plane

MHz	dBi
858	5.02
868	5.53
878	5.99
Average	5.67

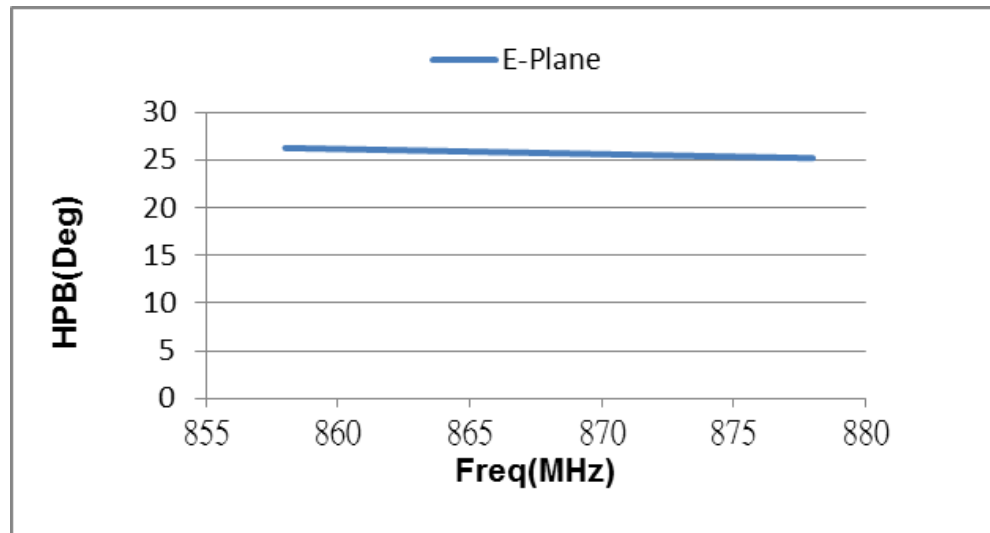


Antenna -3dB Beam-width Curve

E-Plane

MHz	Deg
858	26.24
868	25.7
878	25.18

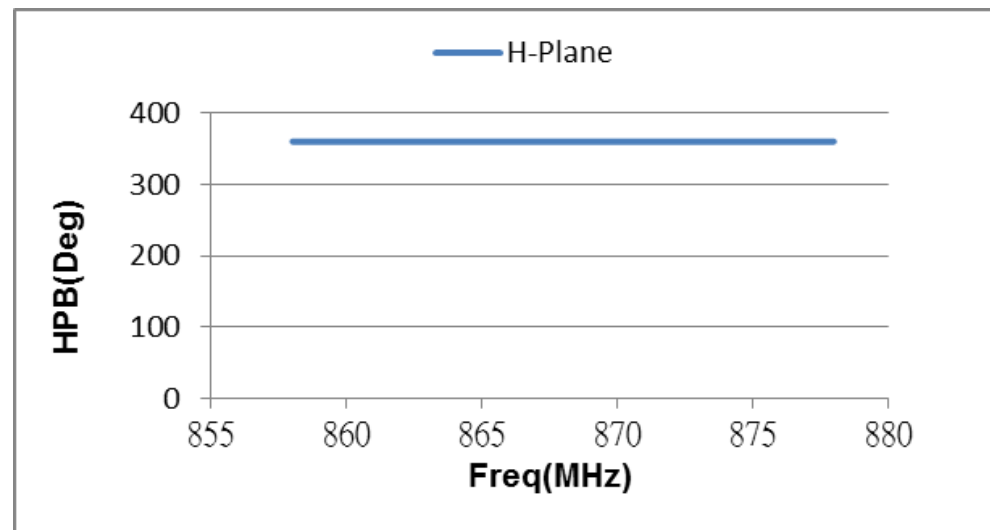
Average 25.71



H-Plane

MHz	Deg
858	360
868	360
878	360

Average 360

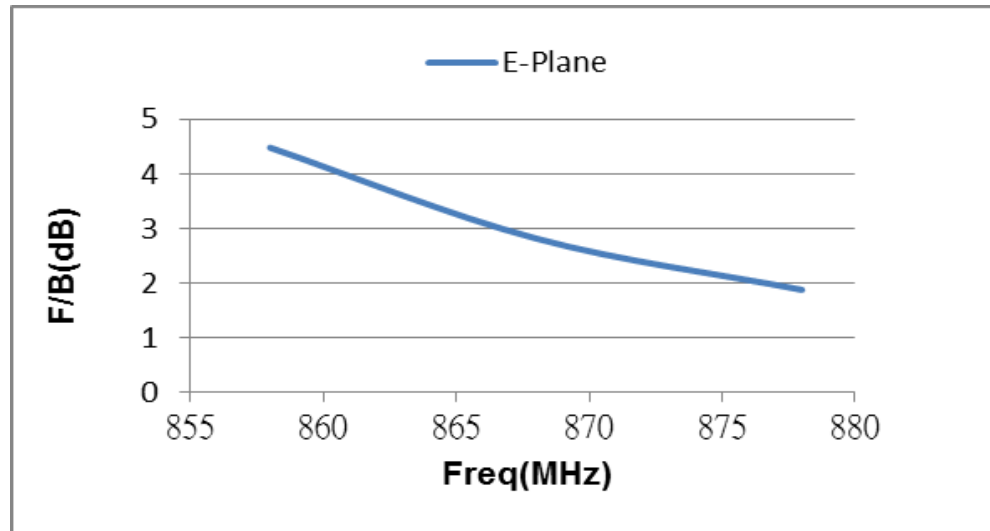


Antenna FBR Curve

E-Plane

MHz	dB
858	4.48
868	2.82
878	1.88

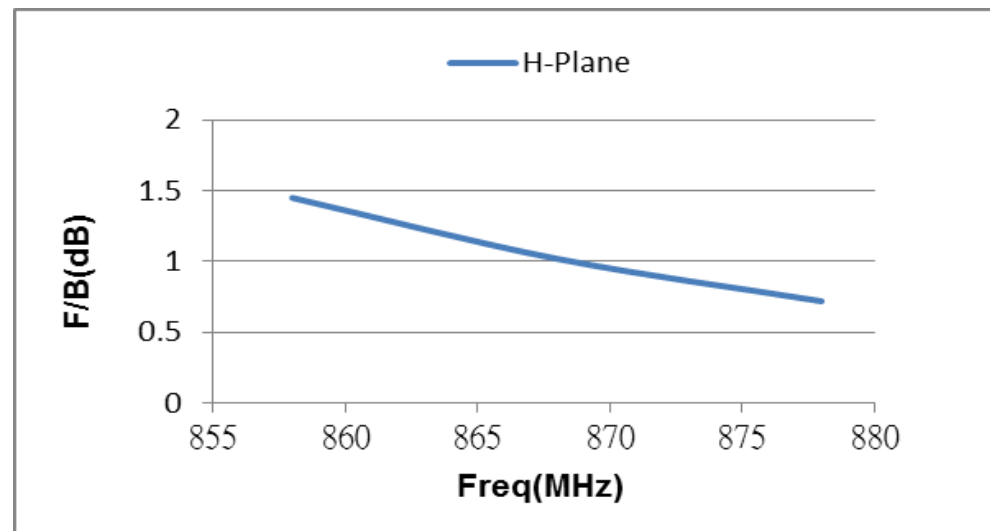
Average 3.06



H-Plane

MHz	dB
858	1.45
868	1.02
878	0.72

Average 1.06



Antenna Size Chart

