

## Omni-Directional Outdoor Antenna kit – 868MHz, 9dBi

The antenna benefits from light weight, DC short lightning protection and can operate in all conditions like strong wind resistance and is waterproof (IP67).

It is provided with tilt and swivel mast mounting brackets, waterproof tape and a 1m coaxial cable.

The radiation patterns and mechanical dimensions are presented here after.



### Specifications

Frequency range	860-870MHz
Impedance	50 ohms
Technology	Collinear, dipole array
VSWR	<1.5:1 at 868MHz <2.0:1 at 860-870MHz
Max gain	9dBi
Polarization	Vertical
Vertical Beam width	17°
Power handling	50W
DC ground	Yes
Whip material	Fiberglass
Connector	N female
Length	148 cm
Weight	800g
Mounting kit material	Stainless steel / Aluminium
U bolt screws	M6
Mast diameter (max)	50mm
IP rating	IP67
Shock resistance	IK08
Wind resistance	150MPH
Operating temperature range	-40°C to +60°C
Operating humidity	10% to 90% non-condensing
Salt, fog	EN 60068-2-52, severity 1
RoHS	2011/65/EU directive
Coaxial cable length	1m
Coaxial cable connectors	N-male x2

Manufacturer name: Fei Teng Wireless Technology  
 Manufacturer reference: OA-868M09-NF  
 Document Version: 1  
 Updated: 02-01-2014

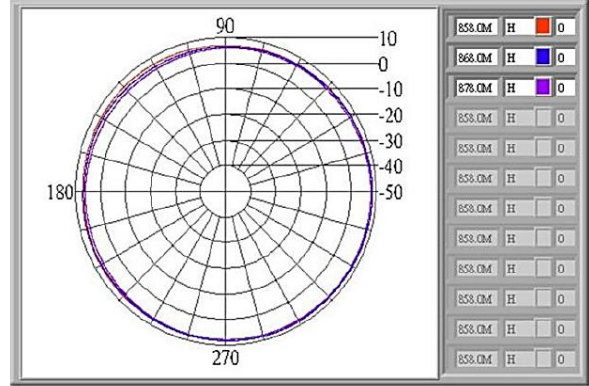
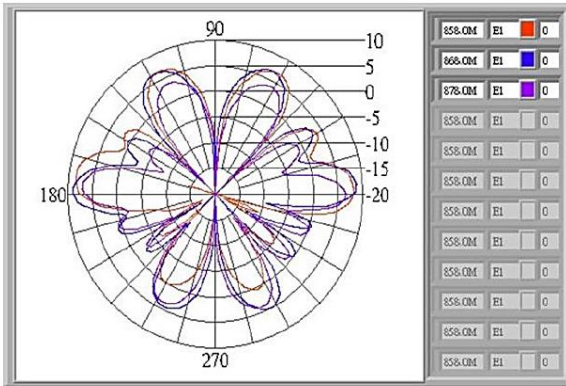
- Responsibility for the information and views set out in this document lies entirely with the manufacturer. Kerlink can't be held responsible for the exactness of information contained therein.
- Accessories are not covered by the maintenance nor warranty extension offers.
- The standard, legal manufacturer's warranty is 1 year.

## Radiation pattern

The radiation patterns are measured at 858MHz (red), 868MHz (blue) and 878MHz (purple):

E-plane co-pol ----- -3dB beam-width= 17 Deg

H-plane co-pol ----- -3dB beam-width= 360 Deg



## Mechanical dimensions

