

Datasheet

AP6275S

IEEE 802.11ax/ac/a/b/g/n 2x2

WiFi with Bluetooth5.0 Combo Sip Module

The revision history of the product specification

Version	Purpose	Date	Editor
1.0	Initial Doc	2019/11/29	Aaron
1.1	Correcting document content (Page 4)	2020/03/31	Kamoro
1.2	Revise data	2020/05/15	Aaron

CONTENTS

1. Introduction	3
1.1 Product Overview	3
1.2 Product Features	3
1.2.1 WLAN.....	3
1.2.2 Bluetooth	3
2. Specification	4
2.1 General Specification	4
2.2 WiFi 2.4GHz RF Specification	5
2.3 WiFi 5GHz RF Specification	7
2.4 Bluetooth RF Specification	20
3. Electrical Characteristics	21
3.1 Absolute Maximum Ratings	21
3.2 Recommended Operating Rating.....	21
3.3 Recommended Operating Conditions and DC Characteristics.....	22
4. Host Interface Timing Diagram	23
4.1 Power-up Sequence Timing Diagram	23
4.2 SDIO Default Mode Timing Diagram	25
4.3 SDIO High Speed Mode Timing Diagram	26
4.4 SDIO Bus Timing Specifications in SDR Modes	27
4.5 SDIO Bus Timing Specifications in DDR50 Mode	30
4.6 PCM Interface Description.....	31
4.7 UART Interface Description	36
5. Power Consumption	38
5.1 WLAN.....	38
5.2 Bluetooth.....	40
6. Block Diagram.....	41
7. Pin Definition.....	42
7.1 Pin Outline.....	42
7.2 Pin Table.....	42
8. Mechanical Specifications.....	44
8.1 Module Dimensions.....	44
8.2 PCB Footprint	45
9. External clock reference	46
9.1 SDIO Interface Description	47
10. Recommended Reflow Profile	48
10.1 Caution for SMT Preparation	49
11. Package Information.....	50
12. Ordering Information	53

1. Introduction

1.1 Product Overview

AP6275S is an 802.11ax (WiFi 6) SiP Module, 802.11ax allow Increased capacity, faster speed, better coverage connections, improve the battery life of IoT sensors, and extend the range of Wi-Fi signals. By implementing the new 802.11ax standard with its unique features such as OFDMA, 1024QAM, Target Wake Time (TWT), and spatial reuse, the AP6275S module enables smooth streaming of high-resolution videos, fewer dropped connections and faster connections farther away from the router and in dense environments.

The Wi-Fi and Bluetooth 5.0 functionalities module with seamless roaming capabilities and advanced security. The 802.11 ax sip module can support Multi-User MIMO (MU-MIMO) technology to increase channel capacity when simultaneously servicing multiple devices using the same frequency chunks. Furthermore the included SDIO interface for Wi-Fi, UART/ PCM interface for Bluetooth.

1.2 Product Features

1.2.1 WLAN

- Dual-stream spatial multiplexing up to 1200 Mbps data rate
- 20, 40, 80 MHz channels with optional SGI (1024 QAM modulation)
- TX and RX low-density parity check (LDPC) support for improved range and power efficiency
- Supports standard SDIO v3.0, compatible with SDIO v2.0 HOST interfaces.
- Client MU-MIMO

1.2.2 Bluetooth

- BT host digital interface:
 - HCI UART (up to 4 Mbps)
 - PCM for audio data
- Complies with Bluetooth Core Specification Version 5.0 with provisions for supporting future specifications. With Bluetooth Class 1 or Class2 transmitter operation
- Supports extended synchronous connections (eSCO), for enhanced voice quality by allowing for retransmission of dropped packets

2. Specification

2.1 General Specification

Standards	IEEE 802.11 ax/ac/a/b/g/n 2T2R Wi-Fi + BT 5.0 Module Bluetooth V5.0, V4.2, V4.1, V4.0 LE, V3.0+HS, V2.1+EDR
Chipset	Broadcom
Operating Frequency	2.400 GHz ~ 2.4835 GHz (2.4GHz ISM Band) 5.15~5.35GHz、5.47~5.725GHz、5.725~5.85GHz (5GHz UNII Band) Bluetooth: 2.402 GHz ~ 2.480 GHz
Modulation	WiFi: 802.11b: DSSS (DBPSK, DQPSK, CCK) 802.11g: OFDM (BPSK, QPSK, 16-QAM, 64-QAM) 802.11gn: OFDM (BPSK, QPSK, 16-QAM, 64-QAM) 802.11a: OFDM (BPSK, QPSK, 16-QAM, 64-QAM) 802.11an: OFDM (BPSK, QPSK, 16-QAM, 64-QAM) 802.11ac: OFDM (BPSK, QPSK, 16-QAM, 64-QAM, 256-QAM) 802.11ax: OFDMA (BPSK, QPSK, 16-QAM, 64-QAM, 256-QAM, 1024-QAM) BT: GFSK, $\pi/4$ -DQPSK, 8-DPSK
Interface	WLAN: SDIO 3.0 / 2.0 Bluetooth: UART / PCM
Form Factor	SiP (System in Package) LGA Type
Antenna	External
Dimension	L x W x H: 15mm(± 0.2 mm) x 13mm(± 0.2 mm) x 1.55mm(Max.)
Operating temperature	-30°C~85°C
Storage temperature	-40°C~125°C
Humidity (Non-Condensing)	10%~95% (Operating)
Weight	0.56g
Driver Support	Linux, Android

Note: The optimal RF performance specified in the data sheet, however, is guaranteed only -10 °C to +55 °C and 3.2V < VBAT < 3.8V without derating performance.

2.2 WiFi 2.4GHz RF Specification

Conditions: VBAT=3.3V; VDDIO=1.8V; Temp:25°C

Output Power, tolerance ± 1.5 dB						
The transmit EVM quality & spectrum mask are compliant with IEEE 802.11 standard						
802.11b	1Mbps	2Mbps	5.5Mbps	11Mbps		
	19.5	19.5	19.5	19.5		
802.11g	6、9Mbps	12、18Mbps	24Mbps	36Mbps	48Mbps	
	19.5	19.5	18.5	18.5	18	
	54Mbps					
	18					
802.11n 20MHz	MCS0~2	MCS3	MCS4	MCS5	MCS6	
	19.5	18.5	18.5	18	18	
	MCS7					
	17.5					
802.11ax 20MHz	HE0~2	HE3	HE4	HE5	HE6	
	19.5	18.5	18.5	18	18	
	HE7	HE8	HE9	HE10	HE11	
	17.5	16.5	16.5	15	15	
802.11ax_20MHz SISO	Data rate	Tones	Spec(dBm)	Data rate	Tones	Spec(dBm)
	HE0	26	19	HE6	26	17.5
		52	19		52	17.5
		106	19		106	17.5
		242	19		242	17.5
	HE1-2	26	18.5	HE7	26	17.5
		52	18.5		52	17.5
		106	18.5		106	17.5
		242	18.5		242	17.5
	HE3	26	18	HE8	26	16.5
		52	18		52	16.5
		106	18		106	16.5
		242	18		242	16.5
	HE4	26	18	HE9	26	16.5
		52	18		52	16.5
		106	18		106	16.5
		242	18		242	16.5
	HE5	26	17.5	HE10	242	15
		52	17.5			
		106	17.5	HE11	242	15
242		17.5				

Note: The specifications of RF output power are subject to change to fulfill the safety regulation and requirements in end-user product.

Sensitivity, tolerance ± 2 dB				
CCK modulation PER $\leq 8\%$ 、OFDM modulation PER $\leq 10\%$				
802.11b	Data Rate	Spec.(dBm)		
	1Mbps	-98		
	2Mbps	-93		
	5.5Mbps	-91		
	11Mbps	-89		
802.11g SISO	Data Rate	Spec.(dBm)	Data Rate	Spec.(dBm)
	6Mbps	-93	24Mbps	-85
	9Mbps	-92	36Mbps	-82
	12Mbps	-91	48Mbps	-78
	18Mbps	-88	54Mbps	-76
802.11g MIMO	Data Rate	Spec.(dBm)	Data Rate	Spec.(dBm)
	6Mbps	-95	24Mbps	-87
	9Mbps	-94	36Mbps	-84
	12Mbps	-93	48Mbps	-81
	18Mbps	-90	54Mbps	-78
802.11n_20MHz SISO	Data Rate	Spec.(dBm)	Data Rate	Spec.(dBm)
	MCS0	-93	MCS4	-81.5
	MCS1	-89	MCS5	-78
	MCS2	-87	MCS6	-76
	MCS3	-84	MCS7	-76
802.11n_20MHz MIMO	Data Rate	Spec.(dBm)	Data Rate	Spec.(dBm)
	MCS0	-93	MCS5	-80
	MCS1	-92	MCS6	-78
	MCS2	-90	MCS7	-76
	MCS3	-87	MCS8	-92.5
	MCS4	-83	MCS15	-75
802.11ax_20MHz SISO	Data Rate	Spec.(dBm)	Data Rate	Spec.(dBm)
	HE0	-93	HE6	-76
	HE1	-89	HE7	-76
	HE2	-87	HE8	-72
	HE3	-84	HE9	-70
	HE4	-81.5	HE10	-65
	HE5	-79	HE11	-61.5
	Maximum Input Level	802.11b: -10 dBm		
802.11g/n/ax: -20 dBm				

2.3 WiFi 5GHz RF Specification

Conditions: VBAT=3.3V ; VDDIO=1.8V ; Temp:25°C

Output Power, tolerance ± 2 dB					
The transmit EVM quality & spectrum mask are compliant with IEEE 802.11 standard					
802.11a	Frequency (MHz)	6~9Mbps	12~18Mbps	24Mbps	36Mbps
	5150~5350	16.5	16.5	15.5	15.5
	5470~5720	16.5	16.5	15.5	15.5
	5725~5845	16.5	16.5	15.5	15.5
	Frequency (MHz)	48Mbps	54Mbps		
	5150~5350	15.5	15.5		
	5470~5720	15.5	15.5		
802.11n 20MHz	Frequency (MHz)	MCS0~2	MCS3	MCS4	MCS5
	5150~5350	16.5	15.5	15.5	15.5
	5470~5720	16.5	15.5	15.5	15.5
	5725~5845	16.5	15.5	15.5	15.5
	Frequency (MHz)	MCS6	MCS7		
	5150~5350	15.5	14.5		
	5470~5720	15.5	14.5		
802.11n 40MHz	Frequency (MHz)	MCS0~2	MCS3	MCS4	MCS5
	5150~5350	16	15.5	15.5	15.5
	5470~5720	16	15	15	15
	5725~5845	16	15	15	15
	Frequency (MHz)	MCS6	MCS7		
	5150~5350	15	15		
	5470~5720	14.5	14.5		
5725~5845	14.5	14.5			

802.11ac 20MHz	Frequency (MHz)	MCS0~2	MCS3	MCS4	MCS5
	5150~5350	16.5	15.5	15.5	15.5
	5470~5720	16.5	15.5	15.5	15.5
	5725~5845	16.5	15.5	15.5	15.5
	Frequency (MHz)	MCS6	MCS7	MCS8	
	5150~5350	15.5	14.5	12.5	
	5470~5720	15.5	14.5	12.5	
	5725~5845	15.5	14.5	12.5	
802.11ac 40MHz	Frequency (MHz)	MCS0~2	MCS3	MCS4	MCS5
	5150~5350	16	15.5	15.5	15.5
	5470~5720	16	15	15	15
	5725~5845	16	15	15	15
	Frequency (MHz)	MCS6	MCS7	MCS8	MCS9
	5150~5350	15	15	13.5	11
	5470~5720	14.5	14.5	13	10
	5725~5845	14.5	14.5	13	10
802.11ac 80MHz	Frequency (MHz)	MCS0~2	MCS3	MCS4	MCS5
	5150~5350	16	15	15	15
	5470~5720	16	15	15	15
	5725~5845	16	15	15	15
	Frequency (MHz)	MCS6	MCS7	MCS8	MCS9
	5150~5350	14.5	14.5	11	11
	5470~5720	14.5	14.5	10	10
	5725~5845	14.5	14.5	10	10
802.11ax 20MHz	Frequency (MHz)	MCS0~2	MCS3	MCS4	MCS5
	5150~5350	16.5	15.5	15.5	15.5
	5470~5720	16.5	15.5	15.5	15.5
	5725~5845	16.5	15.5	15.5	15.5
	Frequency (MHz)	MCS6	MCS7	MCS8	MCS9
	5150~5350	15.5	14.5	12.5	12.5
	5470~5720	15.5	14.5	12.5	12.5
	5725~5845	15.5	14.5	12.5	12.5
	Frequency (MHz)	MCS10	MCS11		
	5150~5350	10.5	10.5		
	5470~5720	10	10		
	5725~5845	10	10		

802.11ax 40MHz	Frequency (MHz)	MCS0~2	MCS3	MCS4	MCS5
	5150~5350	16	15.5	15.5	15.5
	5470~5720	16	15	15	15
	5725~5845	16	15	15	15
	Frequency (MHz)	MCS6	MCS7	MCS8	MCS9
	5150~5350	15	15	13.5	11
	5470~5720	14.5	14.5	13	10
	5725~5845	14.5	14.5	13	10
	Frequency (MHz)	MCS10	MCS11		
	5150~5350	9	9		
	5470~5720	8	8		
	5725~5845	8	8		
802.11ax 80MHz	Frequency (MHz)	MCS0~2	MCS3	MCS4	MCS5
	5150~5350	16	15	15	15
	5470~5720	16	15	15	15
	5725~5845	16	15	15	15
	Frequency (MHz)	MCS6	MCS7	MCS8	MCS9
	5150~5350	14.5	14.5	11	11
	5470~5720	14.5	14.5	10	10
	5725~5845	14.5	14.5	10	10
	Frequency (MHz)	MCS10	MCS11		
	5150~5350	9	9		
	5470~5720	9	9		
	5725~5845	9	9		

Note: The specifications of RF output power are subject to change to fulfill the safety regulation and requirements in end-user product.

	Dara rate	Tones	Frequency	Spec.(dBm)
802.11ax_20MHz SISO_OFDMA	HE0	26	5150~5350	16
			5470~5720	16
			5725~5845	16
		52	5150~5350	16
			5470~5720	16
			5725~5845	16
		106	5150~5350	16
			5470~5720	16
			5725~5845	16
		242	5150~5350	14.5
			5470~5720	14
			5725~5845	14
	HE1~2	26	5150~5350	16
			5470~5720	16
			5725~5845	16
		52	5150~5350	16
			5470~5720	16
			5725~5845	16
		106	5150~5350	16
			5470~5720	16
			5725~5845	16
		242	5150~5350	14.5
			5470~5720	14
			5725~5845	14
	HE3~4	26	5150~5350	15.5
			5470~5720	15.5
			5725~5845	15.5
52		5150~5350	15.5	
		5470~5720	15.5	
		5725~5845	15.5	
106		5150~5350	15.5	
		5470~5720	15.5	
		5725~5845	15.5	
242		5150~5350	14.5	
		5470~5720	14	
		5725~5845	14	

802.11ax_20MHz SISO_OFDMA	HE5~7	26	5150~5350	14.5
			5470~5720	14.5
			5725~5845	14.5
		52	5150~5350	14.5
			5470~5720	14.5
			5725~5845	14.5
		106	5150~5350	14.5
			5470~5720	14.5
			5725~5845	14.5
	242	5150~5350	14.5	
		5470~5720	14	
		5725~5845	14	
	HE8~9	26	5150~5350	12.5
			5470~5720	12.5
			5725~5845	12.5
		52	5150~5350	12.5
			5470~5720	12.5
			5725~5845	12.5
		106	5150~5350	12.5
			5470~5720	12.5
			5725~5845	12.5
		242	5150~5350	12.5
			5470~5720	12.5
			5725~5845	12.5
	HE10~11	242	5150~5350	10
			5470~5720	9.5
			5725~5845	9.5

	Dara rate	Tones	Frequency	Spec.(dBm)
802.11ax_40MHz SISO_OFDMA	HE0	26	5150~5350	16.5
			5470~5720	16
			5725~5845	16
		52	5150~5350	16.5
			5470~5720	16
			5725~5845	16
		106	5150~5350	16.5
			5470~5720	16
			5725~5845	16
		242	5150~5350	16.5
			5470~5720	16
			5725~5845	16
	484	5150~5350	14.5	
		5470~5720	14.5	
		5725~5845	14.5	
	HE1~2	26	5150~5350	16.5
			5470~5720	16
			5725~5845	16
		52	5150~5350	16.5
			5470~5720	16
			5725~5845	16
		106	5150~5350	16.5
			5470~5720	16
			5725~5845	16
242		5150~5350	16.5	
		5470~5720	16	
		5725~5845	16	
484	5150~5350	14.5		
	5470~5720	14.5		
	5725~5845	14.5		

802.11ax_40MHz SISO_OFDMA	HE3~4	26	5150~5350	16.5	
			5470~5720	16	
			5725~5845	16	
		52	106	5150~5350	16.5
				5470~5720	16
				5725~5845	16
		242	484	5150~5350	16.5
				5470~5720	16
				5725~5845	16
		484		5150~5350	14.5
				5470~5720	14.5
				5725~5845	14.5
	HE5~7	26	5150~5350	15.5	
			5470~5720	15	
			5725~5845	15	
		52	106	5150~5350	15.5
				5470~5720	15
				5725~5845	15
		106	242	5150~5350	15.5
				5470~5720	15
				5725~5845	15
		242	484	5150~5350	15.5
				5470~5720	15
				5725~5845	15
	484		5150~5350	14.5	
			5470~5720	14.5	
			5725~5845	14.5	
	HE8~9	26	5150~5350	12	
			5470~5720	12	
			5725~5845	12	
52		5150~5350	12		
		5470~5720	12		
		5725~5845	12		

802.11ax_40MHz SISO_OFDMA	HE8~9	106	5150~5350	12
			5470~5720	12
			5725~5845	12
		242	5150~5350	12
			5470~5720	12
			5725~5845	12
	484	5150~5350	12	
		5470~5720	12	
		5725~5845	12	
	HE10~11	242	5150~5350	10.5
			5470~5720	10
			5725~5845	10
484		5150~5350	9.5	
		5470~5720	9	
		5725~5845	9	

	Dara rate	Tones	Frequency	Spec.(dBm)
802.11ax_80MHz SISO_OFDMA	HE0	26	5150~5350	16.5
			5470~5720	16
			5725~5845	16
		52	5150~5350	16.5
			5470~5720	16
			5725~5845	16
		106	5150~5350	16.5
			5470~5720	16
			5725~5845	16
		242	5150~5350	16.5
			5470~5720	16
			5725~5845	16
	484	5150~5350	16.5	
		5470~5720	16	
		5725~5845	16	
	996	5150~5350	15.5	
		5470~5720	15	
		5725~5845	15	
	HE1~2	26	5150~5350	16.5
			5470~5720	16
			5725~5845	16
		52	5150~5350	16.5
			5470~5720	16
			5725~5845	16
106		5150~5350	16.5	
		5470~5720	16	
		5725~5845	16	
242		5150~5350	16.5	
		5470~5720	16	
		5725~5845	16	
484	5150~5350	16.5		
	5470~5720	16		
	5725~5845	16		
996	5150~5350	15.5		
	5470~5720	15		
	5725~5845	15		

802.11ax_80MHz SISO_OFDMA	HE3~4	26	5150~5350	16.5
			5470~5720	16
			5725~5845	16
		52	5150~5350	16.5
			5470~5720	16
			5725~5845	16
		106	5150~5350	16.5
			5470~5720	16
			5725~5845	16
		242	5150~5350	16.5
			5470~5720	16
			5725~5845	16
	484	5150~5350	16.5	
		5470~5720	16	
		5725~5845	16	
	996	5150~5350	15.5	
		5470~5720	15	
		5725~5845	15	
	HE5~7	26	5150~5350	15.5
			5470~5720	15
			5725~5845	15
		52	5150~5350	15.5
			5470~5720	15
			5725~5845	15
106		5150~5350	15.5	
		5470~5720	15	
		5725~5845	15	
242		5150~5350	15.5	
		5470~5720	15	
		5725~5845	15	
484	5150~5350	15.5		
	5470~5720	15		
	5725~5845	15		
996	5150~5350	14.5		
	5470~5720	14.5		
	5725~5845	14.5		

802.11ax_80MHz SISO_OFDMA	HE8~9	26	5150~5350	12.5
			5470~5720	12.5
			5725~5845	12.5
		52	5150~5350	12.5
			5470~5720	12.5
			5725~5845	12.5
		106	5150~5350	12.5
			5470~5720	12.5
			5725~5845	12.5
		242	5150~5350	12
			5470~5720	12
			5725~5845	12
	484	5150~5350	12	
		5470~5720	12	
		5725~5845	12	
	996	5150~5350	12	
		5470~5720	12	
		5725~5845	12	
	HE10~11	242	5150~5350	10
			5470~5720	9.5
			5725~5845	9.5
		484	5150~5350	10
			5470~5720	9.5
			5725~5845	9.5
996		5150~5350	9	
		5470~5720	9	
		5725~5845	9	

Sensitivity, tolerance ± 1.5 dB				
CCK modulation PER $\leq 8\%$ 、OFDM modulation PER $\leq 10\%$				
	Data Rate	Spec.(dBm)	Data Rate	Spec.(dBm)
802.11a SISO	6Mbps	-90.5	24Mbps	-83
	9Mbps	-90	36Mbps	-80
	12Mbps	-88	48Mbps	-75
	18Mbps	-86	54Mbps	-73
	Data Rate	Spec.(dBm)	Data Rate	Spec.(dBm)
802.11a MIMO	6Mbps	-92	24Mbps	-86
	9Mbps	-91	36Mbps	-83
	12Mbps	-90	48Mbps	-78
	18Mbps	-89	54Mbps	-77

802.11n_20MHz SISO	Data Rate	Spec.(dBm)	Data Rate	Spec.(dBm)
	MCS0	-90	MCS4	-79
	MCS1	-88	MCS5	-76
	MCS2	-86	MCS6	-73
	MCS3	-83	MCS7	-72
802.11n_20MHz MIMO	Data Rate	Spec.(dBm)	Data Rate	Spec.(dBm)
	MCS0	-92	MCS5	-78
	MCS1	-91	MCS6	-76
	MCS2	-89	MCS7	-75
	MCS3	-86	MCS8	-90
802.11n_40MHz SISO	Data Rate	Spec.(dBm)	Data Rate	Spec.(dBm)
	MCS0	-88	MCS4	-77
	MCS1	-86	MCS5	-72
	MCS2	-83	MCS6	-70
	MCS3	-80	MCS7	-69
802.11n_40MHz MIMO	Data Rate	Spec.(dBm)	Data Rate	Spec.(dBm)
	MCS0	-88	MCS5	-75
	MCS1	-88	MCS6	-73
	MCS2	-86	MCS7	-72
	MCS3	-83	MCS8	-86
802.11ac_20MHz SISO	Data Rate	Spec.(dBm)	Data Rate	Spec.(dBm)
	MCS0	-90	MCS5	-75
	MCS1	-88	MCS6	-73
	MCS2	-86	MCS7	-70
	MCS3	-83	MCS8	-68
802.11ac_20MHz MIMO	Data Rate	Spec.(dBm)	Data Rate	Spec.(dBm)
	MCS0, NSS=1	-92	MCS6, NSS=1	-76
	MCS1, NSS=1	-91	MCS7, NSS=1	-75
	MCS2, NSS=1	-88	MCS8, NSS=1	-72
	MCS3, NSS=1	-85	MCS0, NSS=2	-89
	MCS4, NSS=1	-82	MCS8, NSS=2	-65
802.11ac_40MHz SISO	Data Rate	Spec.(dBm)	Data Rate	Spec.(dBm)
	MCS0	-88	MCS5	-72
	MCS1	-86	MCS6	-70
	MCS2	-83	MCS7	-69
	MCS3	-80	MCS8	-65
	MCS4	-76	MCS9	-64

802.11ac_40MHz MIMO	Data Rate	Spec.(dBm)	Data Rate	Spec.(dBm)
	MCS0, NSS=1	-90	MCS6, NSS=1	-73
	MCS1, NSS=1	-88	MCS7, NSS=1	-72
	MCS2, NSS=1	-86	MCS8, NSS=1	-68
	MCS3, NSS=1	-82	MCS9, NSS=1	-66
	MCS4, NSS=1	-79	MCS0, NSS=2	-87
	MCS5, NSS=1	-77	MCS9, NSS=2	-60
802.11ac_80MHz SISO	Data Rate	Spec.(dBm)	Data Rate	Spec.(dBm)
	MCS0	-85	MCS5	-68
	MCS1	-82	MCS6	-67
	MCS2	-79	MCS7	-65
	MCS3	-76	MCS8	-62
	MCS4	-73	MCS9	-61
802.11ac_80MHz MIMO	Data Rate	Spec.(dBm)	Data Rate	Spec.(dBm)
	MCS0, NSS=1	-87	MCS6, NSS=1	-70
	MCS1, NSS=1	-85	MCS7, NSS=1	-68
	MCS2, NSS=1	-82	MCS8, NSS=1	-66
	MCS3, NSS=1	-79	MCS9, NSS=1	-63
	MCS4, NSS=1	-76	MCS0, NSS=2	-84
MCS5, NSS=1	-71	MCS9, NSS=2	-58	
802.11ax_20MHz SISO	Data Rate	Spec.(dBm)	Data Rate	Spec.(dBm)
	HE0	-90	HE6	-73
	HE1	-88	HE7	-70
	HE2	-86	HE8	-68
	HE3	-83	HE9	-64
	HE4	-79	HE10	-59
HE5	-75	HE11	-57	
802.11ax_40MHz SISO	Data Rate	Spec.(dBm)	Data Rate	Spec.(dBm)
	HE0	-90	HE6	-73
	HE1	-88	HE7	-70
	HE2	-86	HE8	-68
	HE3	-83	HE9	-64
	HE4	-79	HE10	-60
HE5	-75	HE11	-55	
802.11ax_80MHz SISO	Data Rate	Spec.(dBm)	Data Rate	Spec.(dBm)
	HE0	-90	HE6	-73
	HE1	-88	HE7	-70
	HE2	-86	HE8	-68
	HE3	-83	HE9	-61
	HE4	-79	HE10	-57
HE5	-75	HE11	-53	
Maximum Input Level	802.11a/n/ac/ax : -30 dBm			

2.4 Bluetooth RF Specification

Conditions: VBAT=3.3V ; VDDIO=1.8V ; Temp:25°C

RF Specification	
Output Power , tolerance ± 1.5 dB	
	CL1 (dBm)
BDR Output Power	8
EDR Output Power	6
BLE Output Power	7
Sensitivity, tolerance ± 1.5 dB	
Sensitivity @ BER=0.1% for GFSK (1Mbps)	-88 dBm
Sensitivity @ BER=0.01% for $\pi/4$ -DQPSK (2Mbps)	-91 dBm
Sensitivity @ BER=0.01% for 8DPSK (3Mbps)	-85 dBm
Sensitivity @ BER=30.8% for LE (1Mbps)	-90 dBm
Sensitivity @ BER=30.8% for 2LE (2Mbps)	-91 dBm
Maximum Input Level	GFSK (1Mbps): -20dBm
	$\pi/4$ -DQPSK (2Mbps): -20dBm
	8DPSK (3Mbps): -20dBm

Note* : The Bluetooth BDR output power is able to be configured by firmware (hcd file).

3. Electrical Characteristics

3.1 Absolute Maximum Ratings

Symbol	Description	Min.	Max.	Unit
VBAT	Input supply Voltage	-0.5	4.5	V
VDDIO	Digital/Bluetooth/SDIO/ I/O Voltage	-0.5	2.07	V

Extreme caution must be exercised to prevent electrostatic discharge (ESD) damage.

Symbol	Condition	Minimum ESD Rating	Unit
ESD_HAND_HBM	Human body model contact discharge per JEDEC EID/JESD22-A114	1	kV
ESD_HAND_CDM	Charged device model contact discharge per JEDEC EIA/JESD22-C101	300	V

3.2 Recommended Operating Rating

The module requires two power supplies: VBAT and VDDIO.

Voltage rails	Min.	Typ.	Max.	Unit
VBAT	3.0	3.3	3.8	V
VDDIO	1.68	1.8	1.98	V

VBAT current consumption 1200mA(Peak), when VBAT = 3.3V

The module requires two power supplies: other Digital I/O Pins.

For VDDIO=1.8V	Min.	Max.	Unit
Input high voltage	0.65 x VDDIO	NA	V
Input low voltage	NA	0.4 x VDDIO	V
Output high voltage @ 2mA	VDDIO – 0.4	NA	V
Output low voltage @ 2mA	NA	0.4	V

3.3 Recommended Operating Conditions and DC Characteristics

Parameter	Symbol	Value			Unit
		Minimum	Typical	Maximum	
DC supply voltage for VBAT	VBAT	3.2	-	4.8	V
DC supply voltage for core	VDD	0.81	0.9	0.99	V
DC supply voltage for RF blocks in chip	VDDRF	0.90	1.0	1.1	V
DC supply voltage for digital I/O	VDDIO	1.62	1.8	1.98	V
DC supply voltage for RF switch I/O	VDDIOA VDDIOP PMU_VDDIOA	1.62	1.8	1.98	V
DC supply voltage for RF switch I/O when supporting 3.3V RF_SW_CTRL pads	VDDIO_RF ^a	3.13	3.3	3.46	V
DC supply voltage for RF switch I/O when supporting 1.8V RF_SW_CTRL pads		1.62	1.8	1.98	V
External TSSI input	TSSI	0.15	-	0.95	V
Internal POR threshold	Vth_POR	0.4	-	0.7	V
Other Digital I/O Pins					
For VDDIO = 1.8V					
Input high voltage	VIH	0.65 x VDDIO	-	-	V
Input low voltage	VIL	-	-	0.4 x VDDIO	V
Output high Voltage @ 2 mA	VOH	VDDIO - 0.40			V
Output Low Voltage @ 2 mA	VOL	-	-	0.40	V
RF Switch Control Output Pins^b					
For VDDIO_RF = 3.3V					
Output high Voltage @ 2 mA	VOH	TBD	TBD	TBD	V
Output Low Voltage @ 2 mA	VOL	TBD	TBD	TBD	V
Input capacitance	C _{IN}	TBD	TBD	TBD	pF

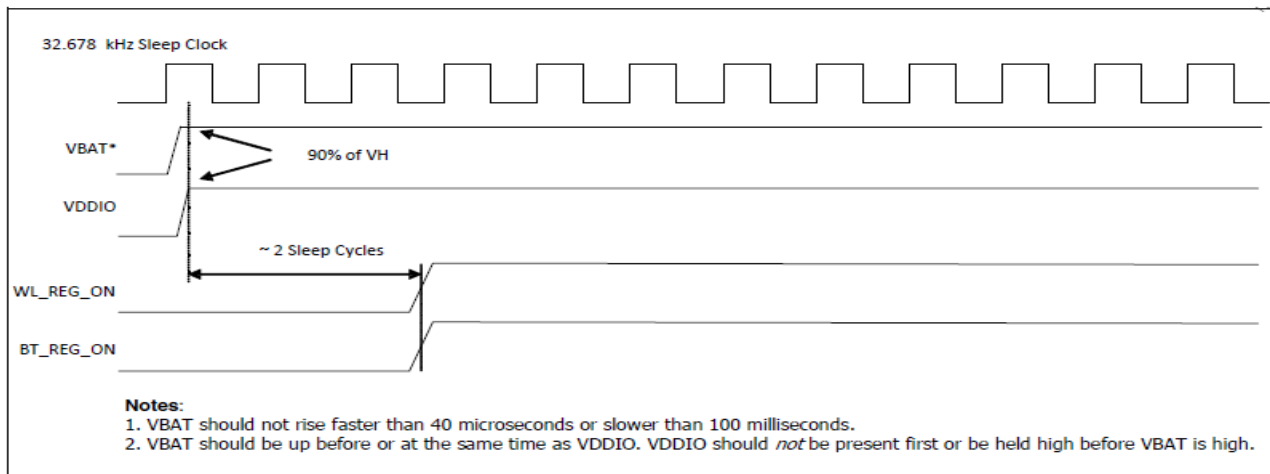
- a. The BCM43752 supports either 1.8V or 3.3V RF switch control pads. To select 1.8V, connect RF_MODE_HV to ground. To select 3.3V, connect RF_MODE_HV to 3.3V.
- b. Programmable 2 mA to 16 mA drive strength. Default is 10 mA.

4. Host Interface Timing Diagram

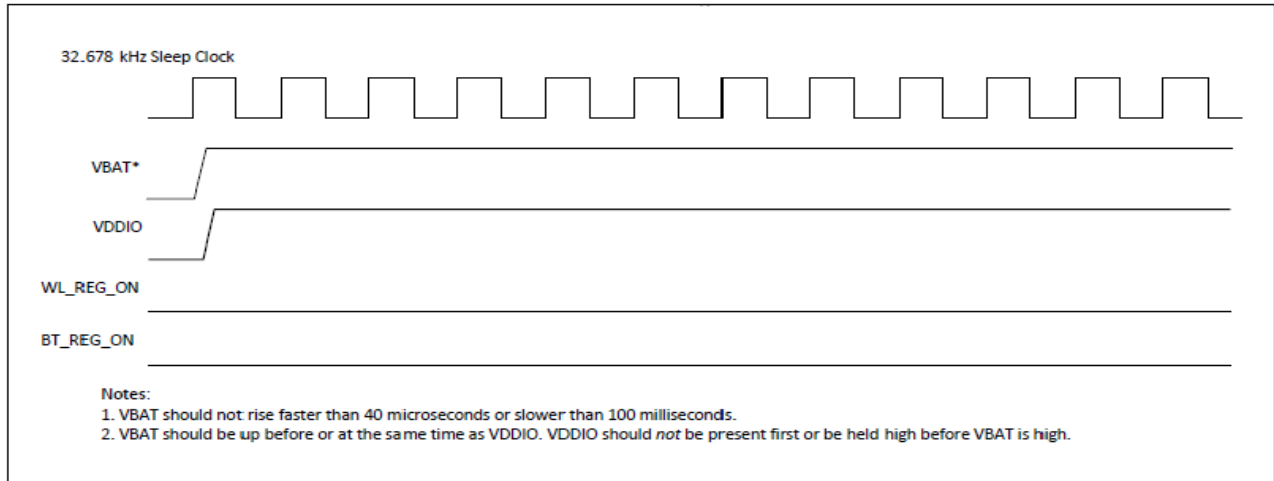
4.1 Power-up Sequence Timing Diagram

The module has signals that allow the host to control power consumption by enabling or disabling the Bluetooth, WLAN and internal regulator blocks. These signals are described below. Additionally, diagrams are provided to indicate proper sequencing of the signals for various operating states. The timing values indicated are minimum required values; longer delays are also acceptable.

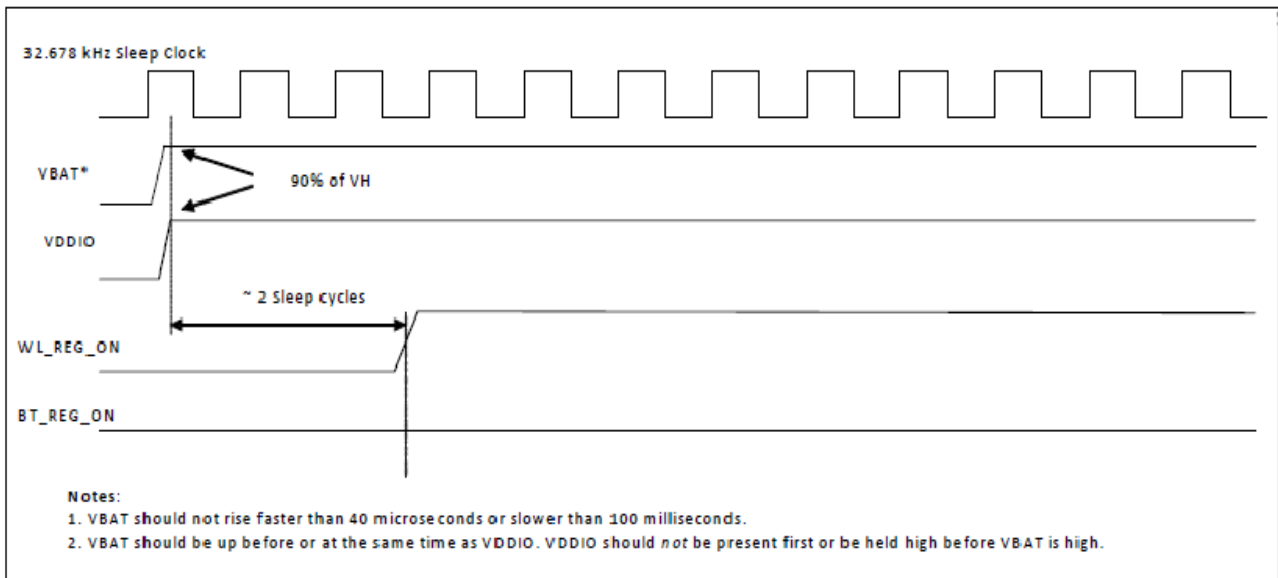
- **WL_REG_ON:** Used by the PMU to power up or power down the internal regulators used by the WLAN section. When this pin is high, the regulators are enabled and the WLAN section is out of reset. When this pin is low the WLAN section is in reset.
- **BT_REG_ON:** Used by the PMU to power up or power down the internal regulators used by the BT section. Low asserting reset for Bluetooth. This pin has no effect on WLAN and does not control any PMU functions. This pin must be driven high or low (not left floating).



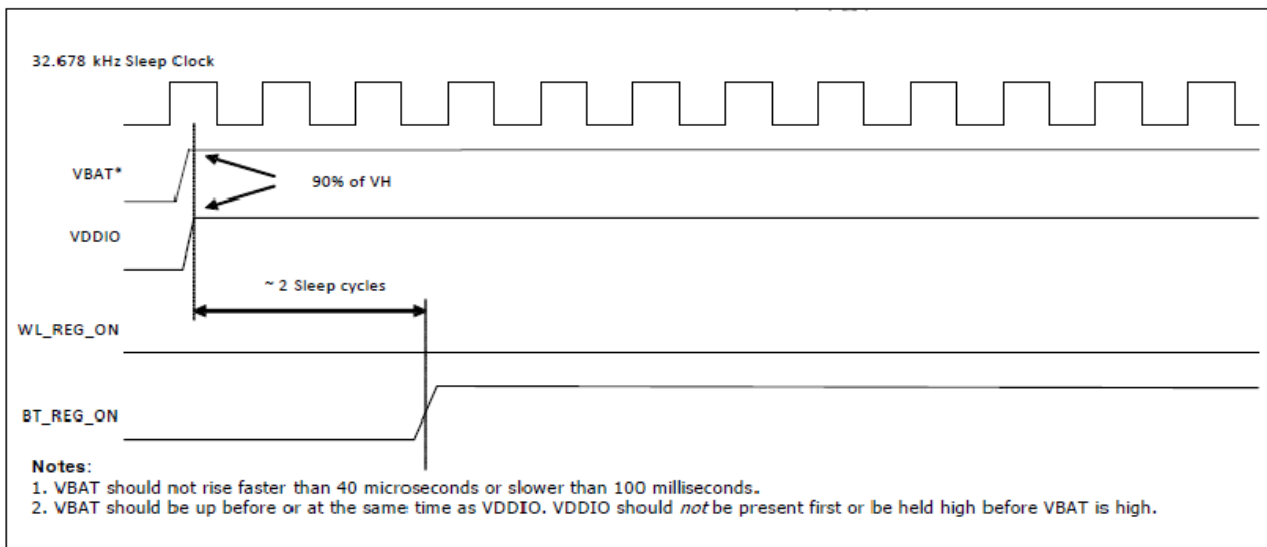
WLAN=ON, Bluetooth=ON



WLAN=OFF, Bluetooth=OFF

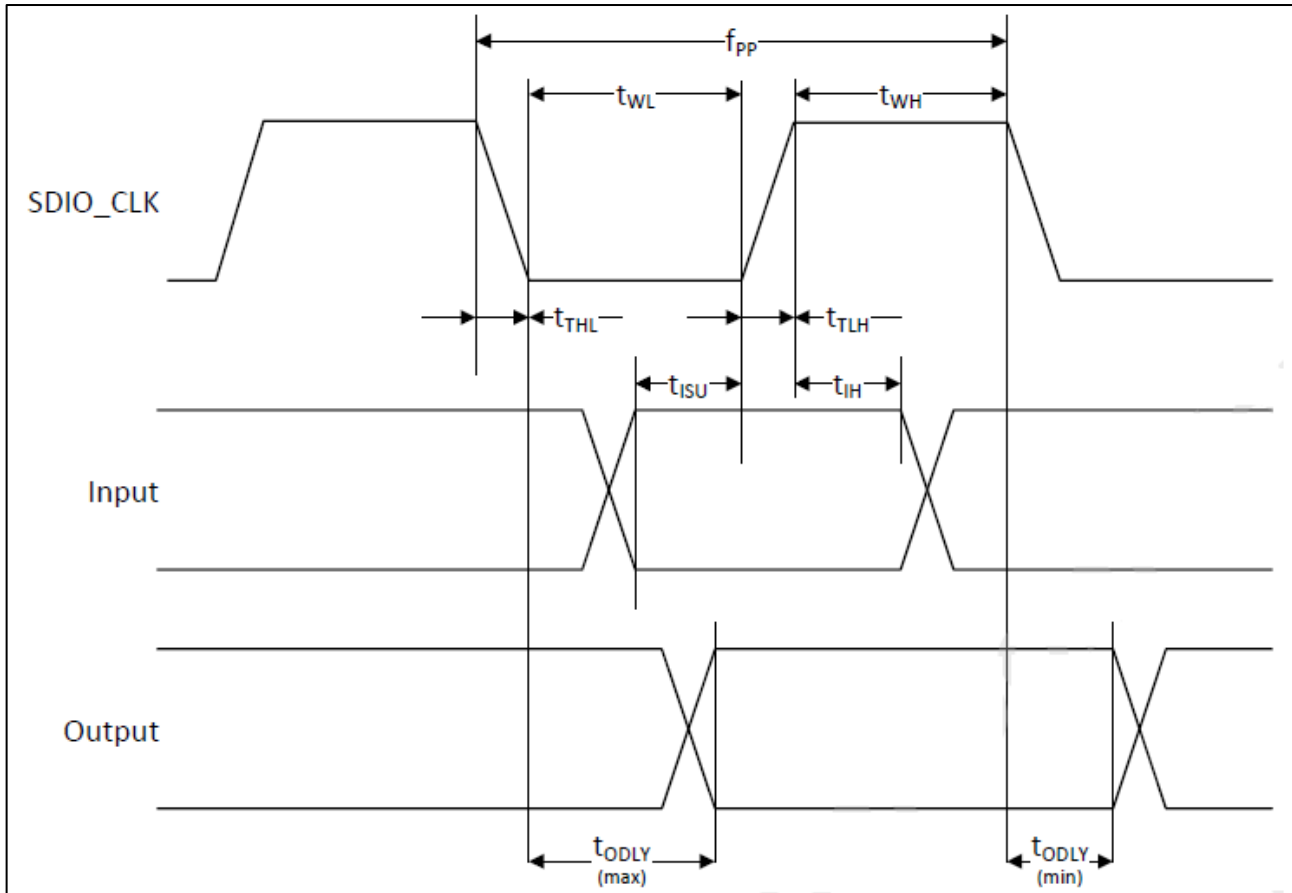


WLAN=ON, Bluetooth=OFF



WLAN=OFF, Bluetooth=ON

4.2 SDIO Default Mode Timing Diagram

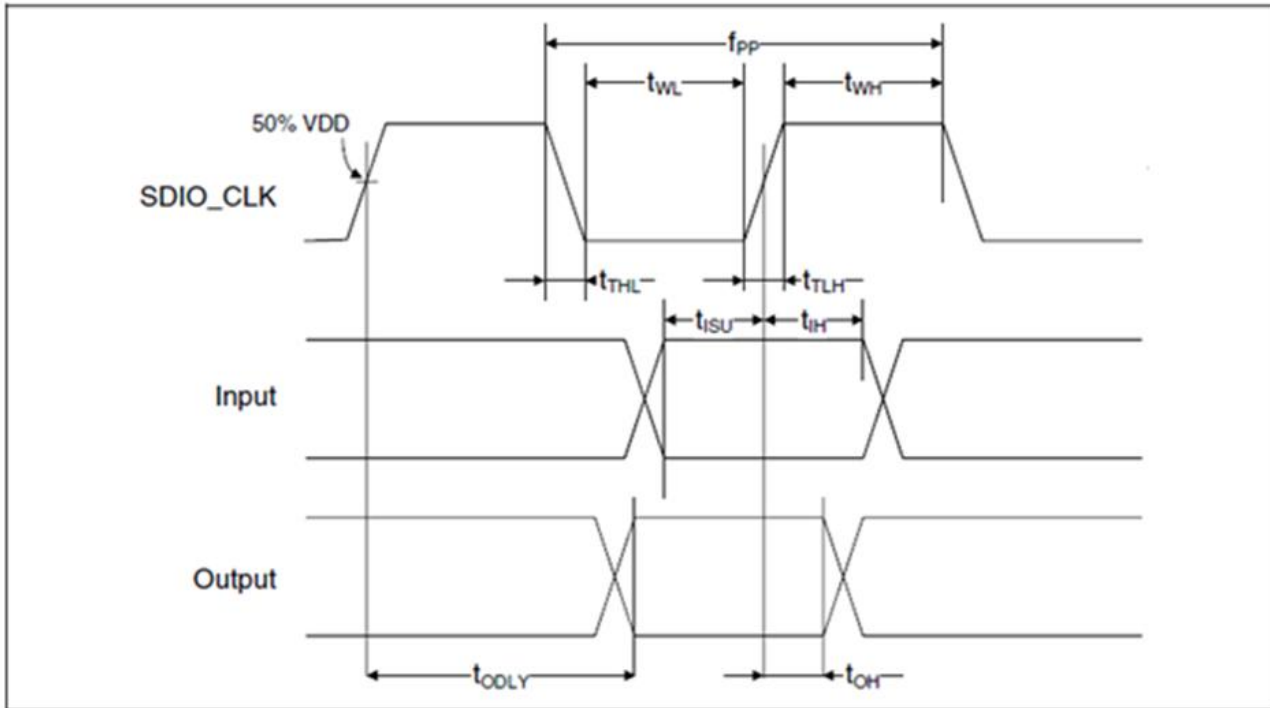


Parameter	Symbol	Minimum	Typical	Maximum	Unit
SDIO CLK (ALL values are referred to minimum VIH and maximum VIL b)					
Frequency – Data Transfer mode	f_{PP}	0	-	25	MHz
Frequency – Identification mode	f_{OD}	0	-	400	kHz
Clock low time	t_{WL}	10	-	-	ns
Clock high time	t_{WH}	10	-	-	ns
Clock rise time	t_{TLH}	-	-	10	ns
Clock low time	t_{TLH}	-	-	10	ns
Inputs : CMD, DAT(referenced to CLK)					
Input setup time	t_{ISU}	5	-	-	ns
Input hold time	t_{IH}	5	-	-	ns
Outputs : CMD, DAT(referenced to CLK)					
Output delay time, - Data Transfer mode	t_{ODLY}	0	-	14	ns
Output delay time, - Identification mode	t_{ODLY}	0	-	50	ns

a. Timing is based on $CL \leq 40$ pF load on CMD and Data.

b. Min. (V_{IH}) = $0.7 \times V_{DDIO}$ and max. (V_{IL}) = $0.2 \times V_{DDIO}$

4.3 SDIO High Speed Mode Timing Diagram

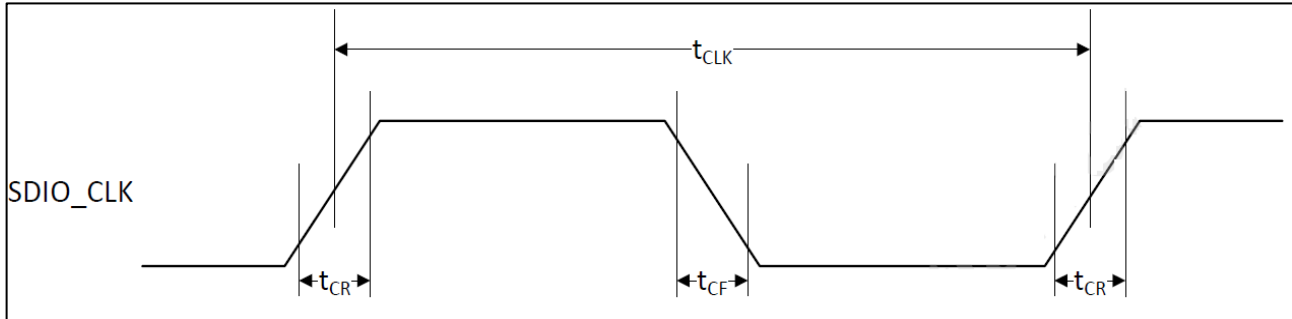


Parameter	Symbol	Minimum	Typical	Maximum	Unit
SDIO CLK (ALL values are referred to minimum VIH and maximum VIL^b)					
Frequency – Data Transfer mode	f_{PP}	0	-	50	MHz
Frequency – Identification mode	f_{OD}	0	-	400	kHz
Clock low time	t_{WL}	7	-	-	ns
Clock high time	t_{WH}	7	-	-	ns
Clock rise time	t_{TLH}	-	-	3	ns
Clock low time	t_{THL}	-	-	3	ns
Inputs : CMD, DAT(referenced to CLK)					
Input setup time	t_{ISU}	6	-	-	ns
Input hold time	t_{IH}	2	-	-	ns
Outputs : CMD, DAT(referenced to CLK)					
Output delay time - Data Transfer mode	t_{ODLY}	-	-	14	ns
Output hold time	t_{OH}	2.5	-	-	ns
Total system capacitance(each line)	C_L			40	pF

- Timing is based on $C_L \leq 40$ pF load on CMD and Data.
- Min. (V_{IH}) = $0.7 \times V_{DDIO}$ and max. (V_{IL}) = $0.2 \times V_{DDIO}$

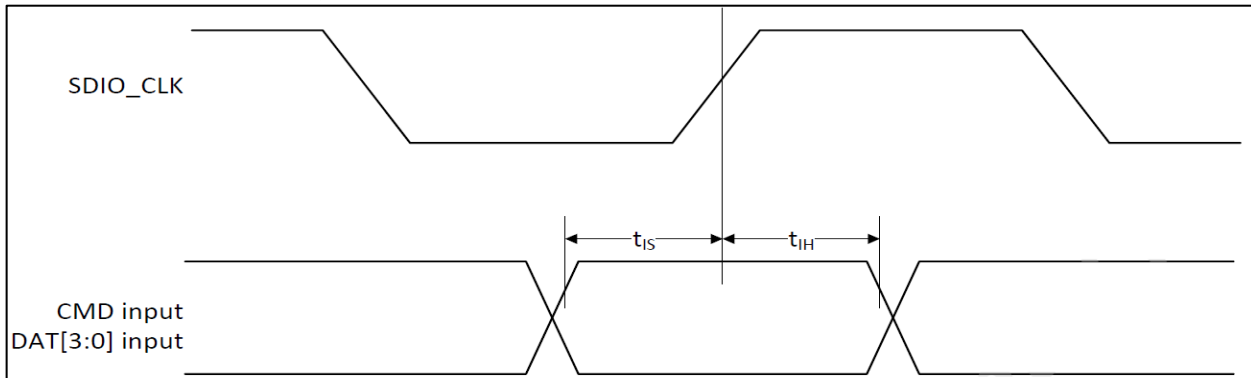
4.4 SDIO Bus Timing Specifications in SDR Modes

Clock timing (SDR Modes)



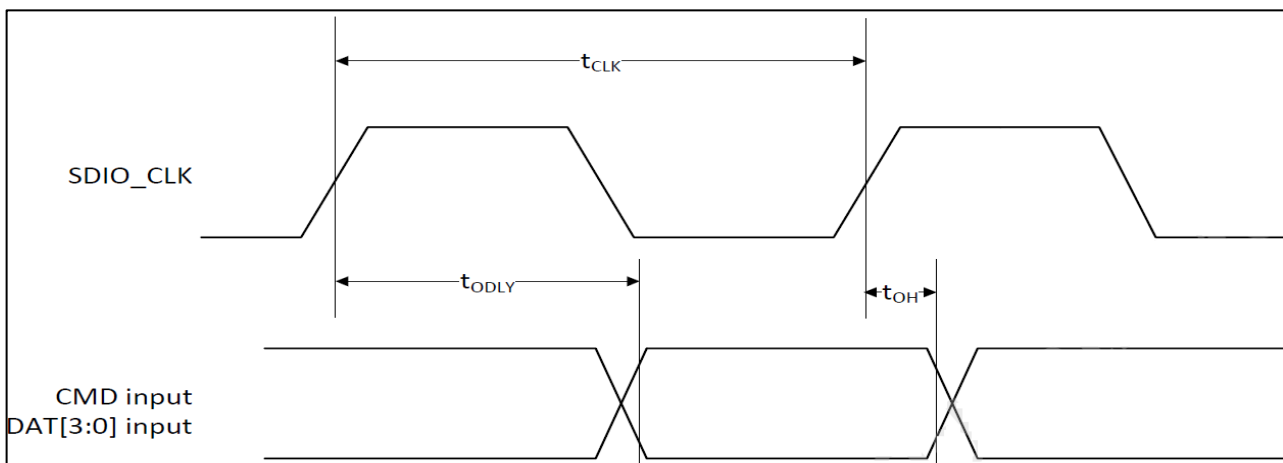
Parameter	Symbol	Minimum	Maximum	Unit	Comments
-	t_{CLK}	40	-	ns	SDR12 mode
		20	-	ns	SDR25mode
		10	-	ns	SDR50 mode
		4.8	-	ns	SDR104 mode
-	t_{CR}, t_{CF}	-	$0.2 \times t_{CLK}$	ns	$t_{CR}, t_{CF} < 2.00$ ns (max) @100MHz, $C_{CARD} = 10$ pF $t_{CR}, t_{CF} < 0.96$ ns (max) @208MHz, $C_{CARD} = 10$ pF
Clock duty	-	30	70	%	-

SDIO Bus Input timing (SDR Modes)



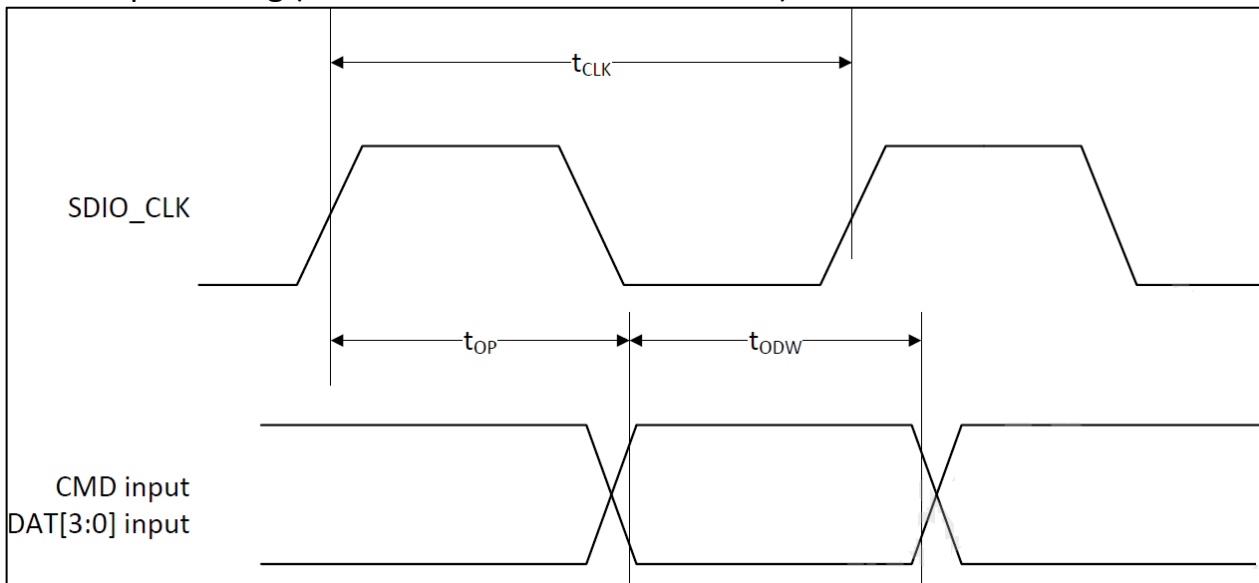
Symbol	Minimum	Maximum	Unit	Comments
SDR104 Mode				
t_{IS}	1.4	-	ns	$C_{CARD} = 10 \text{ pF}$, $V_{CT} = 0.975V$
t_{IH}	0.80	-	ns	$C_{CARD} = 5 \text{ pF}$, $V_{CT} = 0.975V$
SDR50 Mode				
t_{IS}	3.00	-	ns	$C_{CARD} = 10 \text{ pF}$, $V_{CT} = 0.975V$
t_{IH}	0.80	-	ns	$C_{CARD} = 5 \text{ pF}$, $V_{CT} = 0.975V$

SDIO Bus output timing (SDR Modes up to 100MHz)



Symbol	Minimum	Maximum	Unit	Comments
t_{ODLY}	-	7.5	ns	$t_{CLK} \geq 10 \text{ ns}$ $C_L = 30 \text{ pF}$ using driver type B for SDR50
t_{ODLY}	-	14.0	ns	$t_{CLK} \geq 20 \text{ ns}$ $C_L = 40 \text{ pF}$ using for SR12, SDR25
t_{OH}	1.5	-	ns	Hold time at the t_{ODLY} (min) $C_L = 15 \text{ pF}$

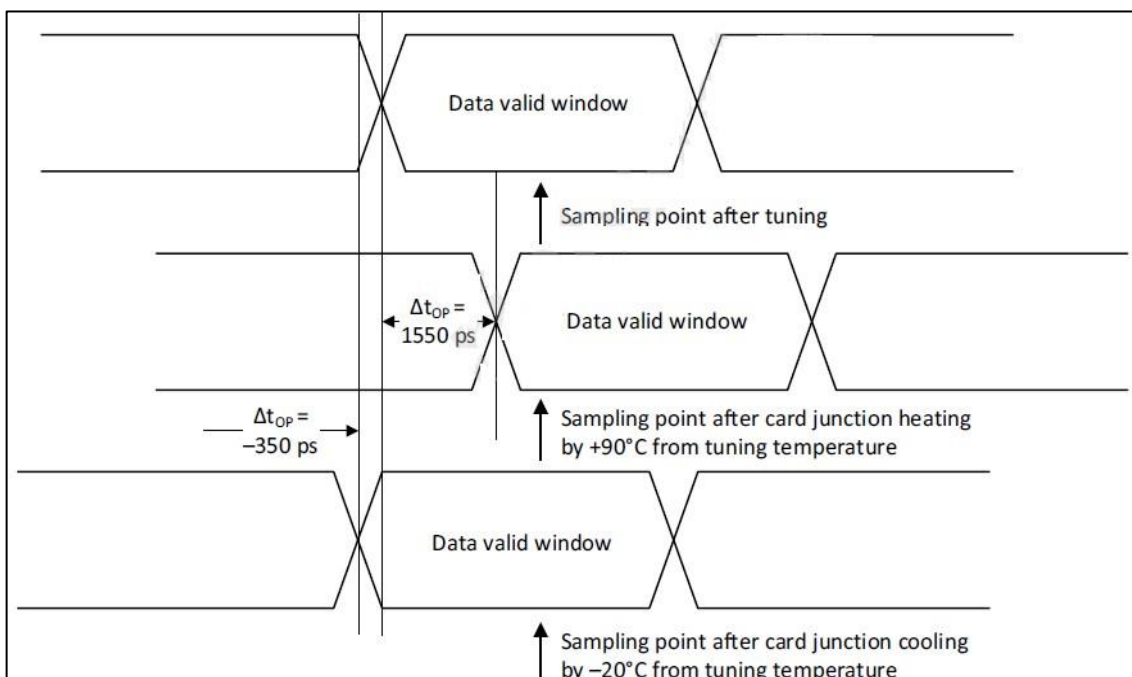
Card output timing (SDR Modes 100MHz to 208MHz)



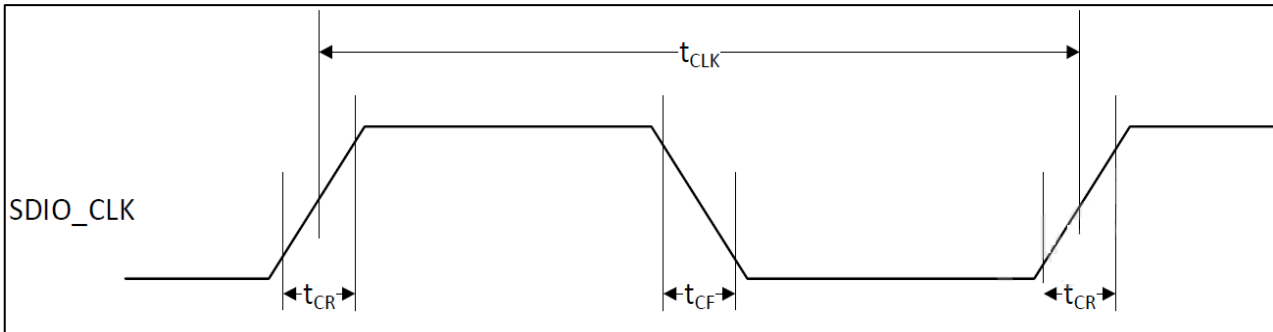
Symbol	Minimum	Maximum	Unit	Comments
t_{OP}	0	2	UI	Card output phase
Δt_{OP}	-350	+1550	ps	Delay variation due to temp. change after tuning
Δt_{ODW}	0.60	-	UI	$t_{ODW} = 2.88 \text{ ns @ } 208\text{MHz}$

- $\Delta t_{OP} = +1550 \text{ ps}$ for junction temperature of $\Delta t_{OP} = 90$ degrees during operation
- $\Delta t_{OP} = -350 \text{ ps}$ for junction temperature of $\Delta t_{OP} = -20$ degrees during operation
- $\Delta t_{OP} = +2600 \text{ ps}$ for junction temperature of $\Delta t_{OP} = -20$ to $+125$ degrees during operation

Δt_{OP} Consideration for Variable Data Window (SDR 104 Mode)

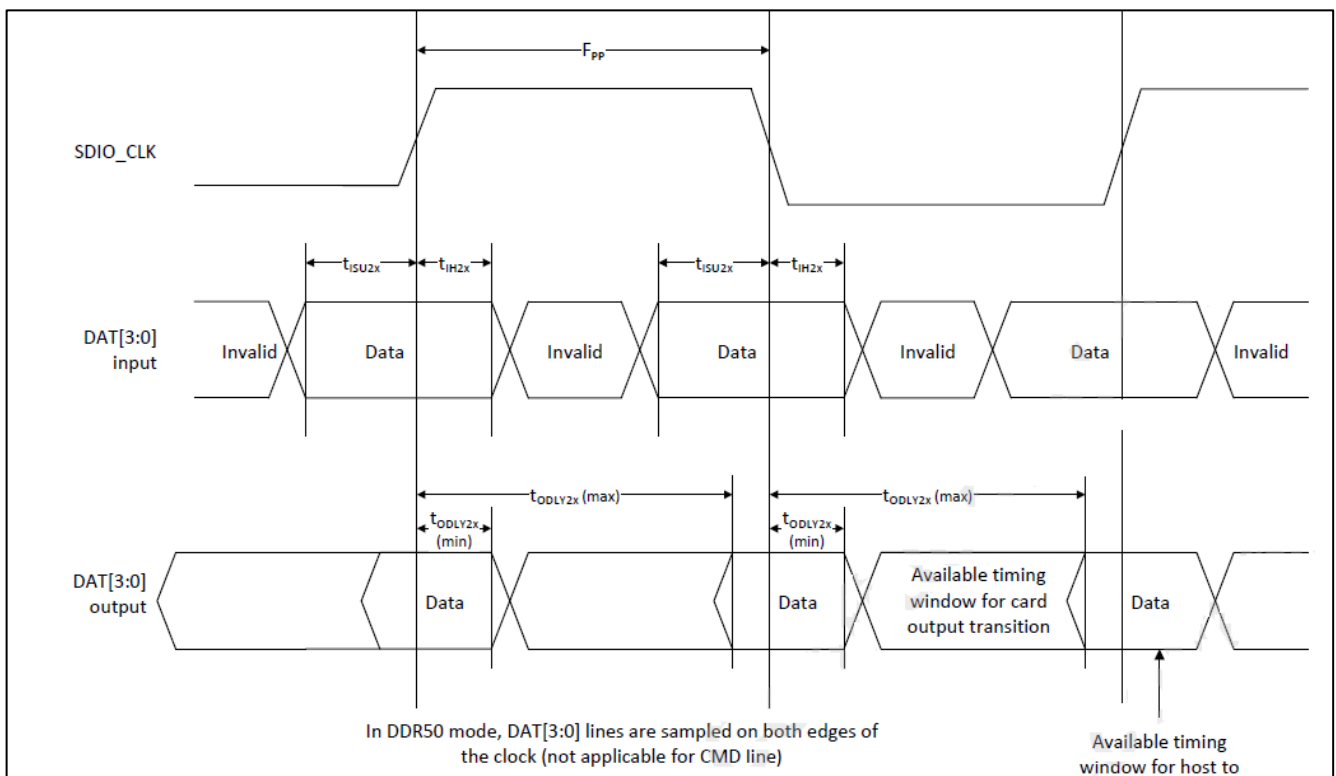


4.5 SDIO Bus Timing Specifications in DDR50 Mode



Parameter	Symbol	Minimum	Maximum	Unit	Comments
-	t_{CLK}	20	-	ns	DDR50 mode
-	t_{CR}, t_{CF}	-	$0.2 \times t_{CLK}$	ns	$t_{CR}, t_{CF} < 4.00 \text{ ns(max) @ 50MHz}$ $C_{CARD} = 10 \text{ pF}$
Clock duty	-	45	55	%	-

Data Timing



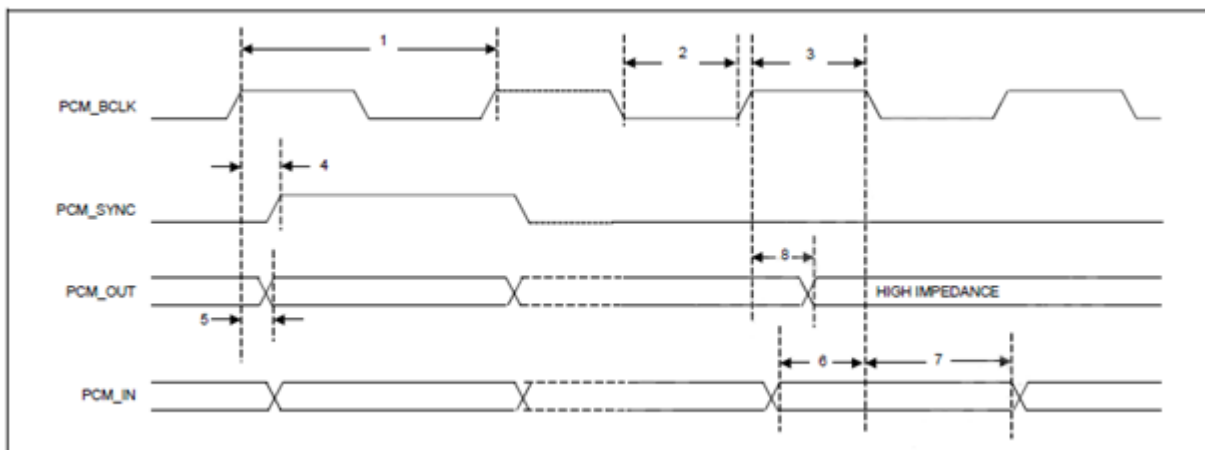
Parameter	Symbol	Minimum	Maximum	Unit	Comments
Input CMD					
Input setup time	t_{ISU}	6	-	ns	$C_{CARD} < 10 \text{ pF}$ (1 Card)
Input hold time	t_{IH}	0.8	-	ns	$C_{CARD} < 10 \text{ pF}$ (1 Card)
Output CMD					
Output delay time	t_{ODLY}	-	13.7	ns	$C_{CARD} < 30 \text{ pF}$ (1 Card)
Output hold time	t_{OH}	1.5	-	ns	$C_{CARD} < 15 \text{ pF}$ (1 Card)
Input DAT					
Input setup time	t_{ISU2x}	3	-	ns	$C_{CARD} < 10 \text{ pF}$ (1 Card)
Input hold time	t_{IH2x}	0.8	-	ns	$C_{CARD} < 10 \text{ pF}$ (1 Card)
Output DAT					
Output delay time	t_{ODLY2x}	-	7.5	ns	$C_{CARD} < 25 \text{ pF}$ (1 Card)
Output hold time	t_{ODLY2x}	1.5	-	ns	$C_{CARD} < 15 \text{ pF}$ (1 Card)

4.6 PCM Interface Description

The PCM Interface on the AP6275S can connect to linear PCM Codec devices in master or slave mode. In master mode, the AP6275S generates the PCM_CLK and PCM_SYNC signals, and in slave mode, these signals are provided by another master on the PCM interface and are inputs to the AP6275S. The configuration of the PCM interface may be adjusted by the host through the use of vendor-specific HCI commands.

Short Frame Sync, Master Modem

PCM Timing Diagram (Short Frame Sync, Master Mode)

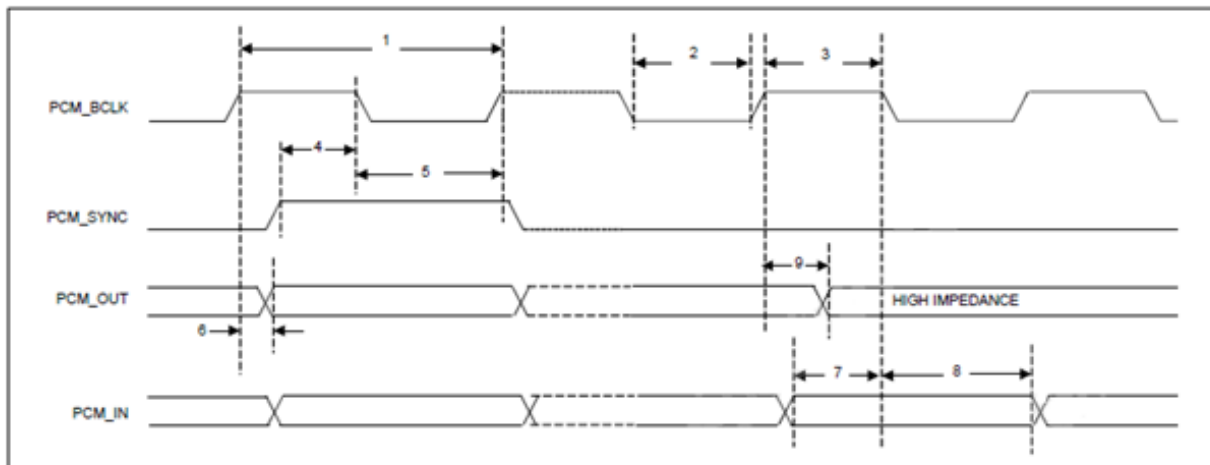


PCM Interface Timing Specifications (Short Frame Sync, Master Mode)

Reference	Characteristics	Minimum	Typical	Maximum	Unit
1	PCM bit clock frequency		-	12	MHz
2	PCM bit clock low	41	-	-	ns
3	PCM bit clock high	41	-	-	ns
4	PCM_SYNC delay	0	-	25	ns
5	PCM_OUT delay	0	-	25	ns
6	PCM_IN setup	8	-	-	ns
7	PCM_IN hold	8	-	-	ns
8	Delay from rising edge of PCM_BCLK during last bit period to PCM_OUT becoming high impedance	0	-	25	ns

Short Frame Sync, Slave Mode

PCM Timing Diagram (Short Frame Sync, Slave Mode)

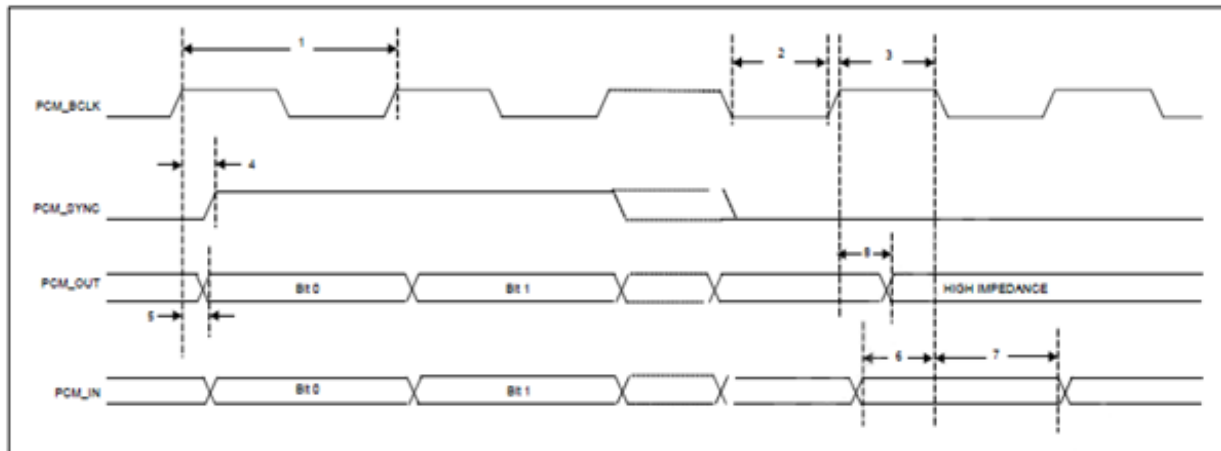


PCM Interface Timing Specifications (Short Frame Sync, Slave Mode)

Reference	Characteristics	Minimum	Typical	Maximum	Unit
1	PCM bit clock frequency		-	12	MHz
2	PCM bit clock low	41	-	-	ns
3	PCM bit clock high	41	-	-	ns
4	PCM_SYNC setup	8	-	-	ns
5	PCM_SYNC hold	8	-	-	ns
6	PCM_OUT delay	0	-	25	ns
7	PCM_IN setup	8	-	-	ns
8	PCM_IN hold	8	-	-	ns
9	Delay from rising edge of PCM_BCLK during last bit period to PCM_OUT becoming high impedance	0	-	25	ns

Long Frame Sync, Master Mode

PCM Timing Diagram (Long Frame Sync, Master Mode)

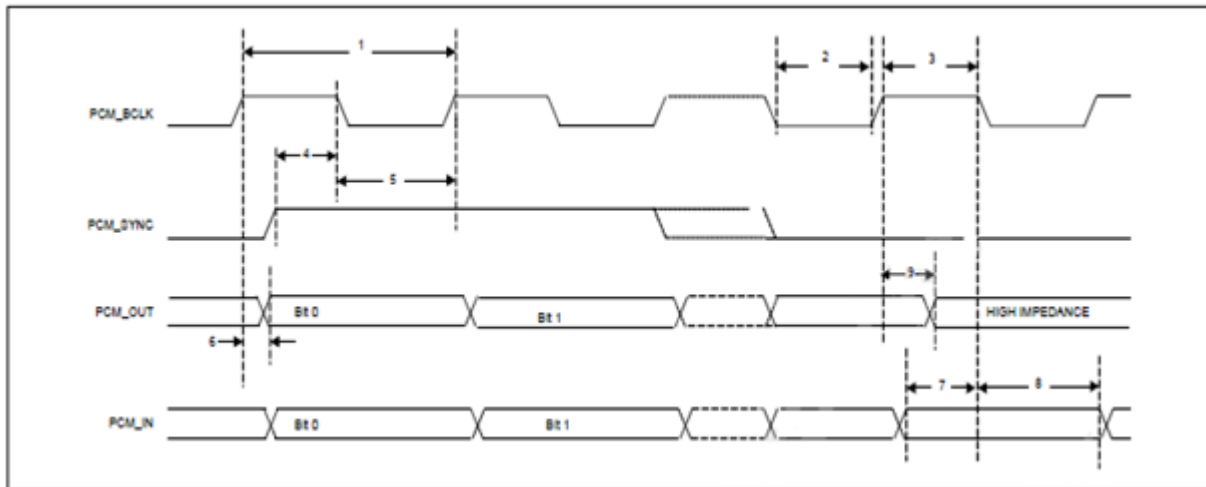


PCM Interface Timing Specifications (Long Frame Sync, Master Mode)

Reference	Characteristics	Minimum	Typical	Maximum	Unit
1	PCM bit clock frequency		-	12	MHz
2	PCM bit clock low	41	-	-	ns
3	PCM bit clock high	41	-	-	ns
4	PCM_SYNC delay	0	-	25	ns
5	PCM_OUT delay	0	-	25	ns
6	PCM_IN setup	8	-	-	ns
7	PCM_IN hold	8	-	-	ns
8	Delay from rising edge of PCM_BCLK during last bit period to PCM_OUT becoming high impedance	0	-	25	ns

Long Frame Sync, Slave Mode

PCM Timing Diagram (Long Frame Sync, Slave Mode)

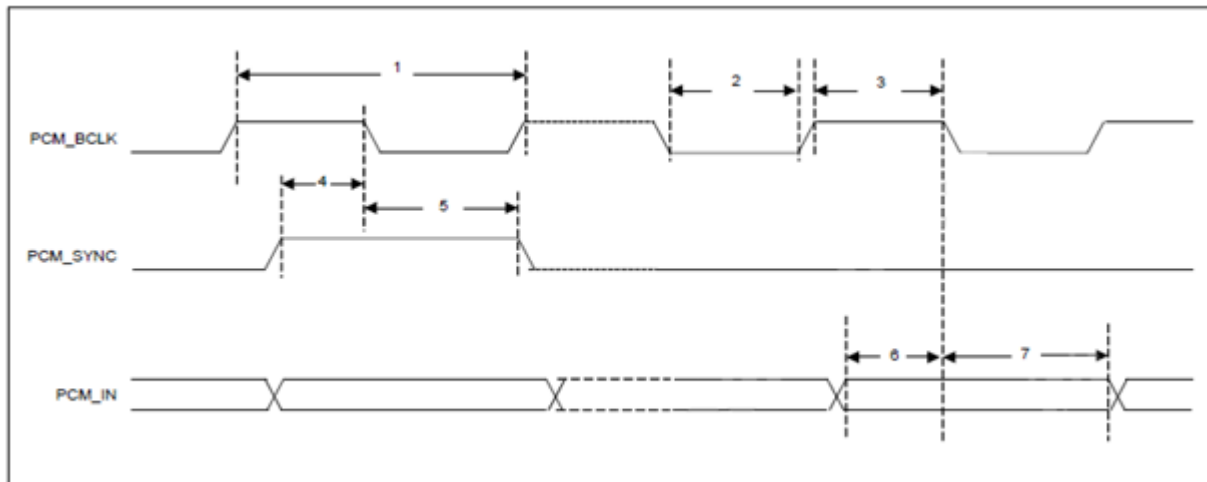


PCM Interface Timing Specifications (Long Frame Sync, Slave Mode)

Reference	Characteristics	Minimum	Typical	Maximum	Unit
1	PCM bit clock frequency		-	12	MHz
2	PCM bit clock low	41	-	-	ns
3	PCM bit clock high	41	-	-	ns
4	PCM_SYNC setup	8	-	-	ns
5	PCM_SYNC hold	8	-	-	ns
6	PCM_OUT delay	0	-	25	ns
7	PCM_IN setup	8	-	-	ns
8	PCM_IN hold	8	-	-	ns
9	Delay from rising edge of PCM_BCLK during last bit period to PCM_OUT becoming high impedance	0	-	25	ns

Short Frame Sync, Burst Mode

PCM Burst Mode Timing (Receive Only, Short Frame Sync)

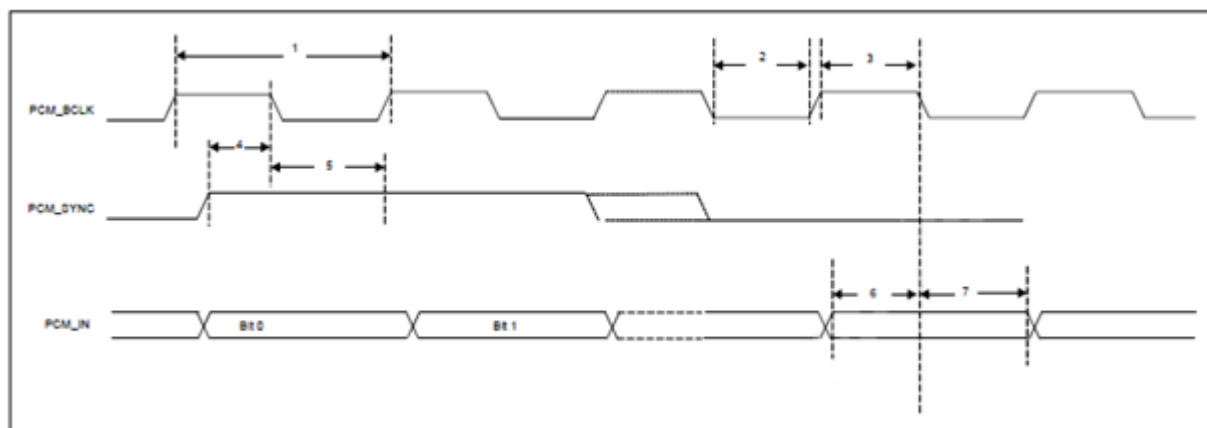


PCM Burst Mode (Receive Only, Short Frame Sync)

Reference	Characteristics	Minimum	Typical	Maximum	Unit
1	PCM bit clock frequency	-	-	24	MHz
2	PCM bit clock low	20.8	-	-	ns
3	PCM bit clock high	20.8	-	-	ns
4	PCM_SYNC setup	8	-	-	ns
5	PCM_SYNC hold	8	-	-	ns
6	PCM_IN setup	8	-	-	ns
7	PCM_IN hold	8	-	-	ns

Long Frame Sync, Burst Mode

PCM Burst Mode Timing (Receive Only, Long Frame Sync)



PCM Burst Mode (Receive Only, Long Frame Sync)

Reference	Characteristics	Minimum	Typical	Maximum	Unit
1	PCM bit clock frequency	-	-	24	MHz
2	PCM bit clock low	20.8	-	-	ns
3	PCM bit clock high	20.8	-	-	ns
4	PCM_SYNC setup	8	-	-	ns
5	PCM_SYNC hold	8	-	-	ns
6	PCM_IN setup	8	-	-	ns
7	PCM_IN hold	8	-	-	ns

4.7 UART Interface Description

The UART is a standard 4-wire interface (RX, TX, RTS, and CTS) with adjustable baud rates from 9600 bps to 4.0 Mbps. The interface features an automatic baud rate detection capability that returns a baud rate selection. Alternatively, the baud rate may be selected through a vendor-specific UART HCI command.

UART has a 1040-byte receive FIFO and a 1040-byte transmit FIFO to support EDR. Access to the FIFOs is conducted through the AHB interface through either DMA or the CPU. The UART supports the Bluetooth 5.0 UART HCI specification: H4, a custom Extended H4, and H5. The default baud rate is 115.2 Kbaud.

The UART supports the 3-wire H5 UART transport, as described in the Bluetooth specification (Three-wire UART Transport Layer). Compared to H4, the H5 UART transport reduces the number of signal lines required by eliminating the CTS and RTS signals.

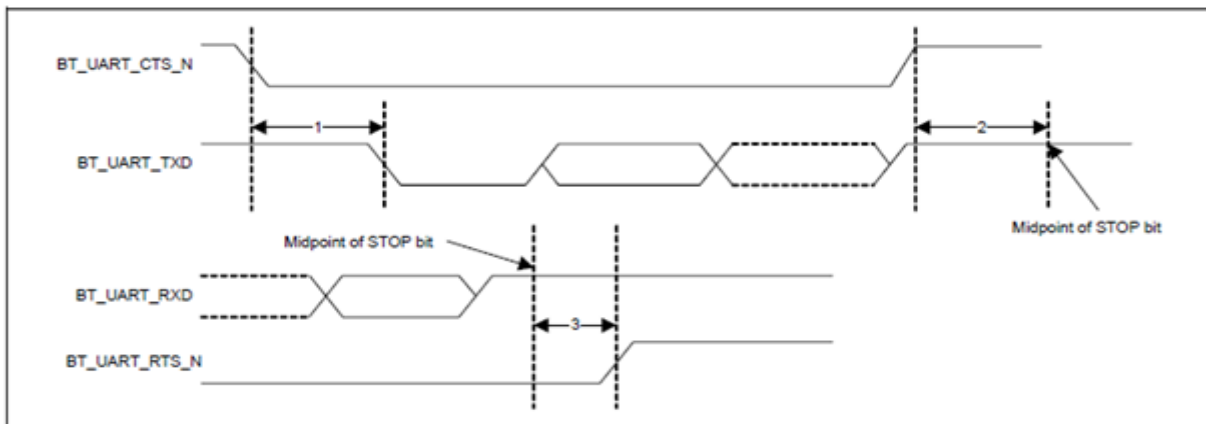
The UART can perform XON/XOFF flow control and includes hardware support for the Serial Line Input Protocol (SLIP). It can also perform wake-on activity. For example, activity on the RX or CTS inputs can wake the chip from a sleep state.

Normally, the UART baud rate is set by a configuration record downloaded after device reset, or by automatic baud rate detection, and the host does not need to adjust the baud rate. Support for changing the baud rate during normal HCI UART operation is included through a vendor-specific command that allows the host to adjust the contents of the baud rate registers. The UARTs operate correctly with the host UART as long as the combined baud rate error of the two devices is within $\pm 2\%$.

Example of Common Baud Rates

Desired Rate	Actual Rate	Error(%)
4000000	4000000	0.00
3692000	3692308	0.01
3000000	3000000	0.00
2000000	2000000	0.00
1500000	1500000	0.00
1444444	1454544	0.70
921600	923077	0.16
460800	461538	0.16
230400	230796	0.17
115200	115385	0.16
57600	57692	0.16
38400	38400	0.00
28800	28846	0.16
19200	19200	0.00
14400	14423	0.16
9600	9600	0.00

UART Timing



UART Timing Specifications

Ref	Characteristics	Min.	Typ.	Max.	Unit
1	Delay time, BT_UART_CTS_N low BT_UART_TXD valid	-	-	1.5	Bit periods
2	Setup time, BT_UART_CTS_N high before midpoint of stop bit	-	-	0.5	Bit periods
3	Delay time, midpoint of stop bit BT_UART_RTS_N high	-	-	0.5	Bit periods

5. Power Consumption

5.1 WLAN

■ 2.4GHz:

Test Mode	DUT Status	VBAT (3.3V)	VDDIO (1.8V)
802.11b 11Mbps	Continue TX(SISO), Power = 19.2dBm	327.3	4.8
	Continue RX(SISO)	43.49	0.759
802.11b 1Mbps	Continue TX(SISO), Power = 18.8dBm	338.5	5.17
	Continue RX(SISO)	41.08	0.743
802.11g 54Mbps	Continue TX (SISO), Power = 17.4dBm	214.4	3.81
	Continue RX(SISO)	43.63	0.759
	Continue TX HT20(MIMO), Power = 17dBm	431.7	6.46
	Continue RX HT20 (MIMO)	52.54	0.846
802.11g 6Mbps	Continue TX (SISO), Power = 18.4dBm	312.57	4.9
	Continue RX(SISO)	42.17	0.753
	Continue TX HT20(MIMO), Power = 19.2dBm	715.9	8.75
	Continue RX HT20 (MIMO)	50.65	0.84
802.11gn MCS7 HT-20	Continue TX (SISO), Power = 16.4dBm	205.4	3.74
	Continue RX(SISO)	45.67	0.824
	Continue TX HT20(MIMO), Power = 16.7dBm	391.6	6.33
	Continue RX HT20 (MIMO)	52.93	0.903
802.11gn MCS0 HT-20	Continue TX (SISO), Power = 18.2dBm	315.8	4.95
	Continue RX(SISO)	43.42	0.803
	Continue TX HT20(MIMO), Power = 18.8dBm	681.9	8.71
	Continue RX HT20 (MIMO)	51.51	0.901
802.11ax HE0 HE-20	Continue TX (SISO), Power = 18.5dBm	323.8	4.85
	Continue RX(SISO)	38.0	0.69
	Continue TX HT20(MIMO), Power = 19.3dBm	687.1	8.5
	Continue RX HT20 (MIMO)	42.5	0.791
802.11ax HE11 HE-20	Continue TX (SISO), Power = 14.3dBm	168.88	3.4
	Continue RX(SISO)	38.41	0.7
	Continue TX HT20(MIMO), Power = 14.4dBm	303.2	5.72
	Continue RX HT20 (MIMO)	42.4	0.791

(Unit: mA)

■ 5GHz:

Test Mode	DUT Status	VBAT (3.3V)	VDDIO (1.8V)
802.11a 54Mbps	Continue TX (SISO), Power = 15.3dBm	255.6	3.8
	Continue RX(SISO)	53.13	0.793
	Continue TX (MIMO), Power = 15dBm	461.9	6.4
	Continue RX(MIMO)	67.49	0.876
802.11an MCS7_HT20	Continue TX HT20(SISO), Power = 14.7dBm	245.7	3.73
	Continue RX HT20 (SISO)	53.09	0.793
	Continue TX HT20 (MIMO), Power = 14.7dBm	440.1	6.33
	Continue RX HT20 (MIMO)	67.33	0.876
802.11an MCS7_HT40	Continue TX HT40(SISO), Power = 14.6dBm	223.0	3.25
	Continue RX HT40 (SISO)	58.5	0.803
	Continue TX HT40 (MIMO), Power = 14.5dBm	382.1	3.63
	Continue RX HT40 (MIMO)	73.38	1.24
802.11ac MCS8_VHT20	Continue TX HT20(SISO), Power = 13dBm	224.6	3.64
	Continue RX HT20 (SISO)	53.66	0.795
	Continue TX HT20 (MIMO), Power = 13.1dBm	399.4	6.14
	Continue RX HT20 (MIMO)	68.12	0.879
802.11ac MCS9_VHT40	Continue TX HT40(SISO), Power = 10.8dBm	188.9	3.13
	Continue RX HT40 (SISO)	59.3	0.805
	Continue TX HT40 (MIMO), Power = 10.7dBm	318.1	5.13
	Continue RX HT40 (MIMO)	74.52	1.239
802.11ac MCS9_VHT80	Continue TX HT80(SISO), Power = 10.4dBm	173.2	2.7
	Continue RX HT80 (SISO)	68.44	1.14
	Continue TX HT80 (MIMO), Power = 10.5dBm	293.5	4.5
	Continue RX HT80 (MIMO)	86.47	1.21
802.11ax HE0 BW=20	Continue TX (SISO), Power = 15.6dBm	360.9	4.85
	Continue RX(SISO)	51.6	0.69
	Continue TX HE20(MIMO), Power = 15.4dBm	686.4	8.56
	Continue RX HE20 (MIMO)	67.33	0.77

(Unit: mA)

802.11ax HE11 BW=20	Continue TX (SISO), Power = 11dBm	200.9	3.4
	Continue RX(SISO)	45.4	0.66
	Continue TX HE20(MIMO), Power = 11dBm	350.1	5.72
	Continue RX HE20 (MIMO)	65.3	0.76
802.11ax HE 0 BW=40	Continue TX (SISO), Power = 15.6dBm	350.8	4.58
	Continue RX(SISO)	57.0	0.707
	Continue TX HE40(MIMO), Power = 15.2dBm	635.4	8
	Continue RX HE40 (MIMO)	75.32	0.797
802.11ax HE 11 BW=40	Continue TX (SISO), Power = 8.6dBm	182.1	3.1
	Continue RX(SISO)	56.6	0.7
	Continue TX HE40(MIMO), Power = 8.6dBm	308.8	5.12
	Continue RX HE40 (MIMO)	71.9	0.792
802.11ax MCS0 HE-80	Continue TX (SISO), Power = 15.5dBm	327.2	4.2
	Continue RX(SISO)	66.07	1.03
	Continue TX HE80(MIMO), Power = 15dBm	588.0	7.3
	Continue RX HE80 (MIMO)	86.48	1.1
802.11ax MCS11 HE-80	Continue TX (SISO), Power = 8.8dBm	187.5	3.01
	Continue RX(SISO)	60.75	1.04
	Continue TX HE80(MIMO), Power = 8.2dBm	311.1	4.9
	Continue RX HE80 (MIMO)	84.01	1.11

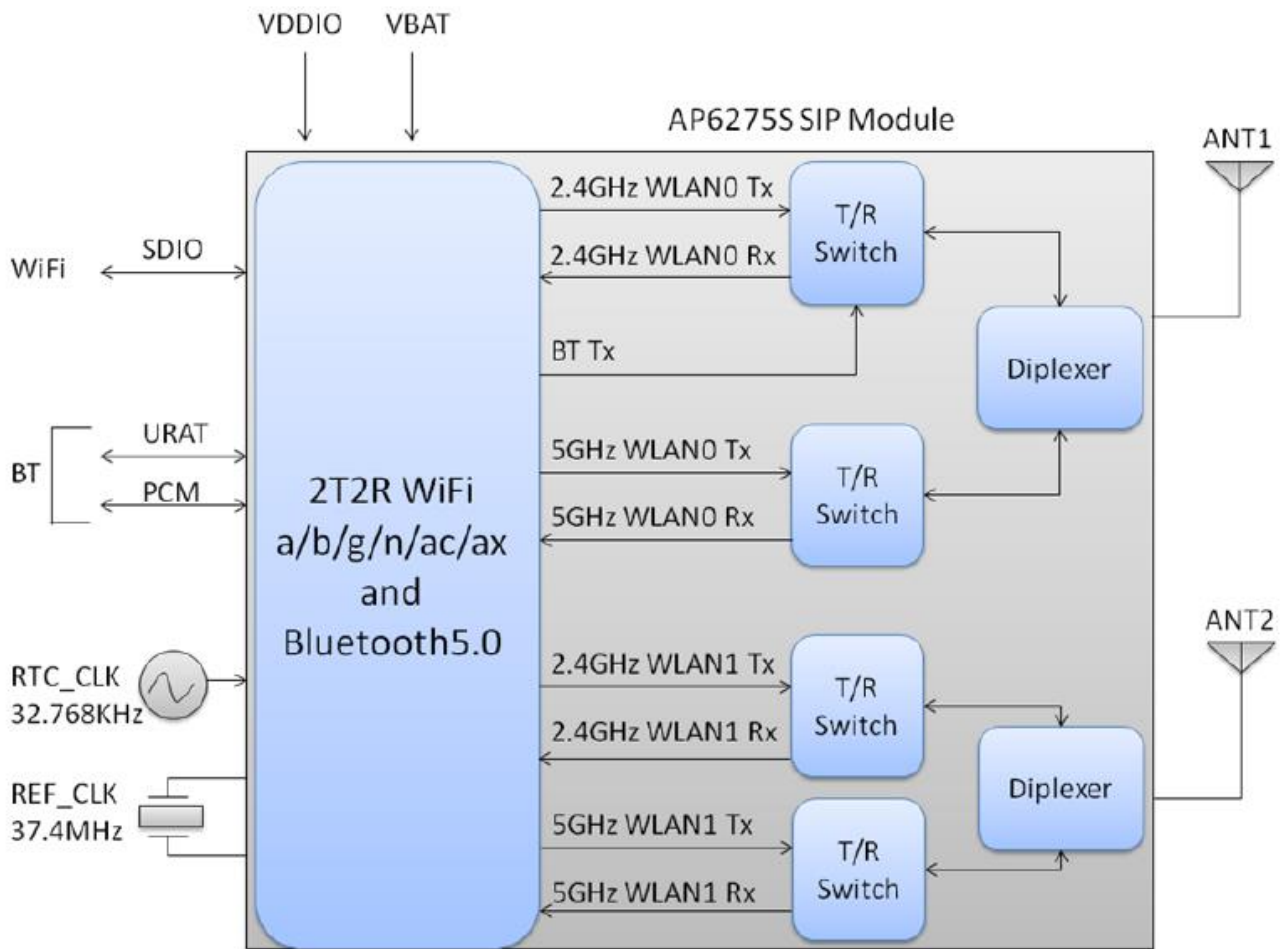
(Unit: mA)

5.2 Bluetooth

Test Mode	DUT Status	VBAT (3.3V)	VDDIO (1.8V)
Bluetooth Mode	Continue TX	10.4	0.16
	Continue RX	9.4	0.16

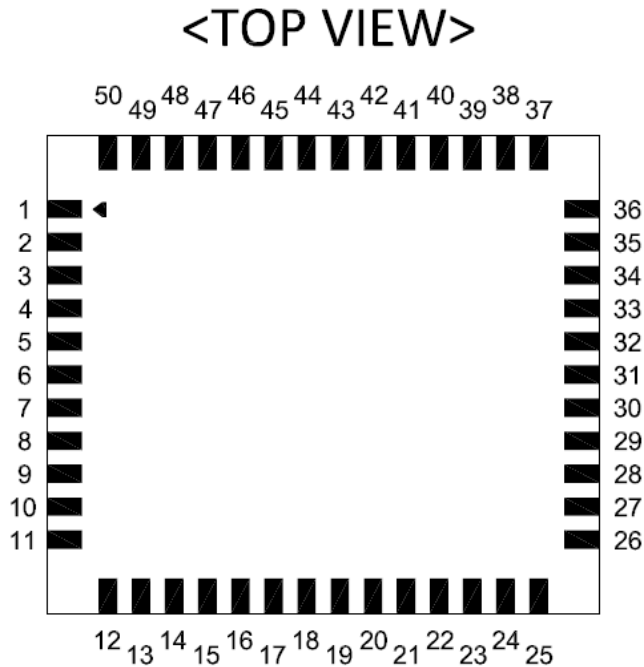
(Unit: mA)

6. Block Diagram



7. Pin Definition

7.1 Pin Outline



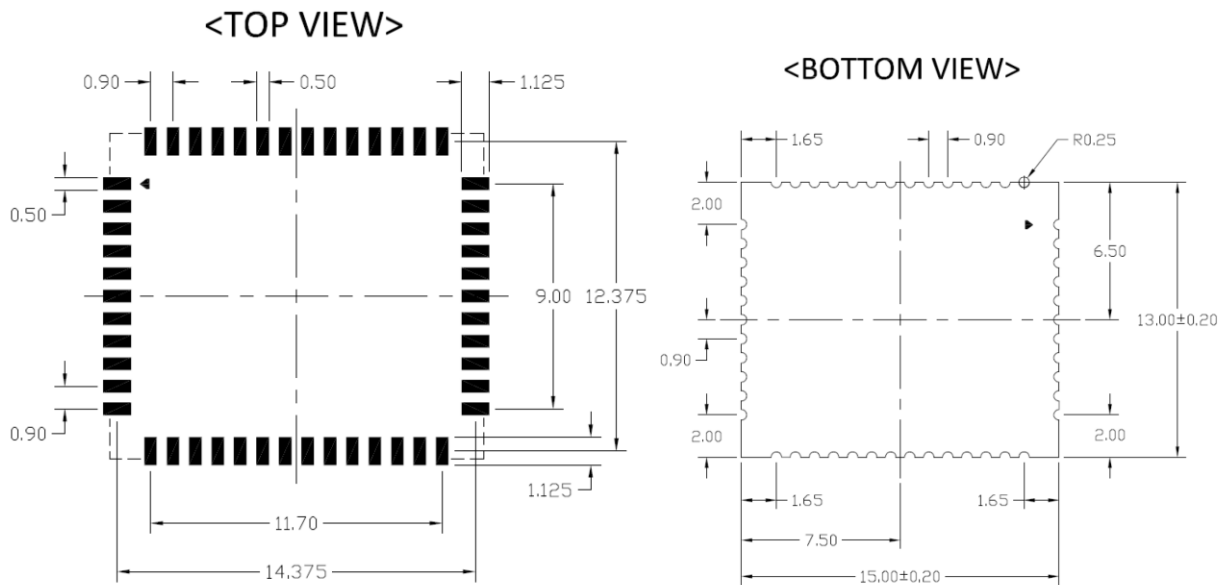
7.2 Pin Table

NO	Name	Type	Description
1	GND	—	Ground connections
2	WL_ANT0	I/O	RF I/O port0
3	GND	—	Ground connections
4	GND	—	Ground connections
5	GND	—	Ground connections
6	GND	—	Ground connections
7	GND	—	Ground connections
8	GND	—	Ground connections
9	WL_ANT1	I/O	RF I/O port1
10	GND	—	Ground connections
11	GND	—	Ground connections
12	NC	—	Floating (Don't connected to ground)
13	XTAL_IN	O	External Crystal in/ Single clock source in
14	XTAL_OUT	I	External Crystal out
15	WL_REG_ON	I	Low asserting reset for WiFi core (must be connet to CPU'S GPIO)
16	WL_HOST_WAKE/WL_GPIO_0	O	WLAN to wake-up HOST and WL_GPIO_0

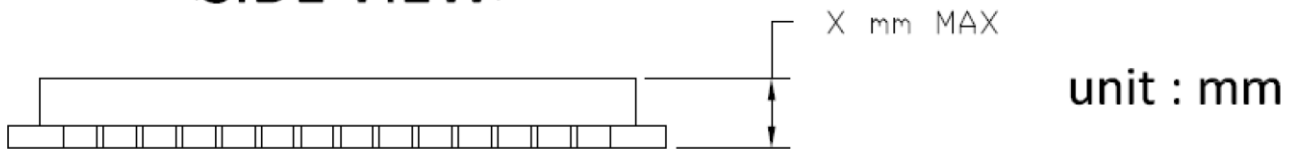
17	SDIO_DATA_CMD	I/O	SDIO command line
18	SDIO_DATA_CLK	I/O	SDIO clock line
19	SDIO_DATA_3	I/O	SDIO data line 3
20	SDIO_DATA_2	I/O	SDIO data line 2
21	SDIO_DATA_0	I/O	SDIO data line 0
22	SDIO_DATA_1	I/O	SDIO data line 1
23	GND	—	Ground connections
24	NC	—	Floating (Don't connected to ground)
25	CBUCK_0P9	I	Internal Buck voltage generation pin
26	CSR_VLX	O	Internal Buck voltage generation pin
27	GND	—	Ground connections
28	ASR_VLX	O	Internal Analog Buck voltage generation pin
29	ABUCK_1P12	I	Internal Analog Buck voltage generation pin
30	GND	—	Ground connections
31	LPO	I	External Low Power Clock input (32.768KHz)
32	GND	—	Ground connections
33	WL_GPIO_10	I/O	WL_GPIO_10
34	VDDIO	P	I/O Voltage supply input
35	WL_GPIO_11	I/O	WL_GPIO_11
36	VBAT	P	Main power voltage source input
37	NC	—	Floating (Don't connected to ground)
38	BT_REG_ON	I	Low asserting reset for Bluetooth core (must be connet to CPU'S GPIO)
39	GND	—	Ground connections
40	BT_UART_TXD	O	Bluetooth UART interface
41	BT_UART_RXD	I	Bluetooth UART interface
42	BT_UART_RTS_N	O	Bluetooth UART interface
43	BT_UART_CTS_N	I	Bluetooth UART interface
44	BT_PCM_CLK	I/O	BT PCM clock; can be master(output) and slave(input)
45	BT_PCM_SYNC	I/O	BT PCM Sync signal; can be master(output) and slave(input)
46	BT_PCM_IN	I	BT PCM Data input
47	BT_PCM_OUT	O	BT PCM Data output
48	NC	—	NC
49	BT_WAKE	I	HOST wake-up Bluetooth device
50	BT_HOST_WAKE	O	Bluetooth device to wake-up HOST

8. Mechanical Specifications

8.1 Module Dimensions

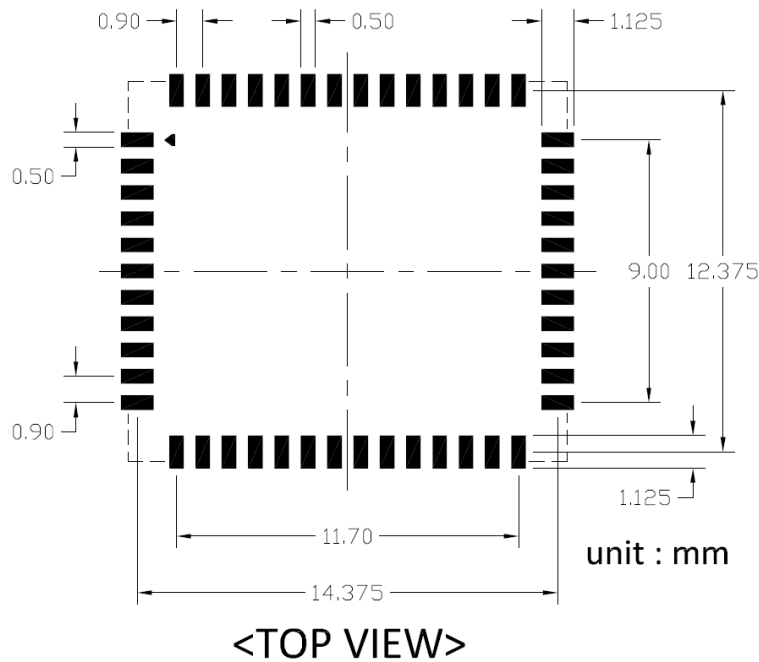


<SIDE VIEW>

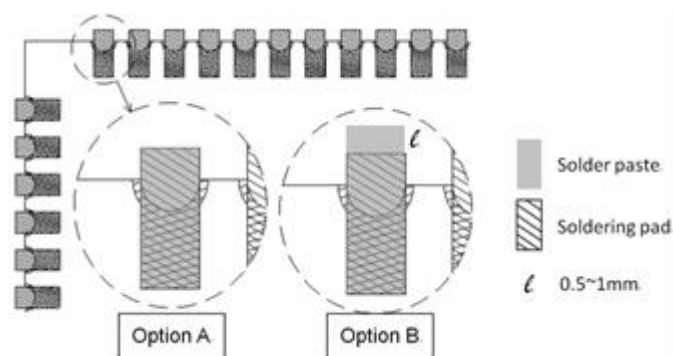


Note, X = 1.55mm

8.2 PCB Footprint



- Solder paste layer design is generally the same as recommended footprint
If soldering quality with good wetting on upright side is essential for PQC, how to optimize the aperture design in the stencil to adjust the amount of solder paste would be crucial.
In addition, a kind of stencil design with stepped thickness in partial area would be considered if the thickness of stencil is about 0.1mm or thinner. Please optimize the stencil design by manufacture engineer or contact SparkLAN FAE for assistance.



9. External clock reference

External LPO signal characteristics

Parameter	Specification	Units
Nominal input frequency	32.768	kHz
Frequency accuracy	+/-25	ppm
Duty cycle	30 - 70	%
Input signal amplitude	1.8±0.09	V
Signal type	Square-wave or sine-wave	-
Input impedance	>100k <5	Ω pF
Clock jitter (integrated over 300Hz – 15KHz)	<1	Hz
Output high voltage	0.7V _{io} - V _{io}	V

External 37.4MHz X'TAL characteristics

Parameter	Specification	Units
Nominal input frequency – F ₀	37.4	MHz
Frequency Tolerance - $\Delta F / F_0$ (At 25°C +/- 3°C)	+/- 10	ppm
Operation Temperature Range - Topr	-30 ~ + 85	°C
Freq. Stability(over operating temperature) - TC Ref. to 25°C	+/- 10	ppm
Load capacitance - CL	18	pF
Equivalent Series Resistance – ESR	Max. 60	Ω
Drive Level - DL	Typ. 50, Max. 100	uW
Insulation resistance – IR At 100Vdc	Min. 500	MΩ

9.1 SDIO Interface Description

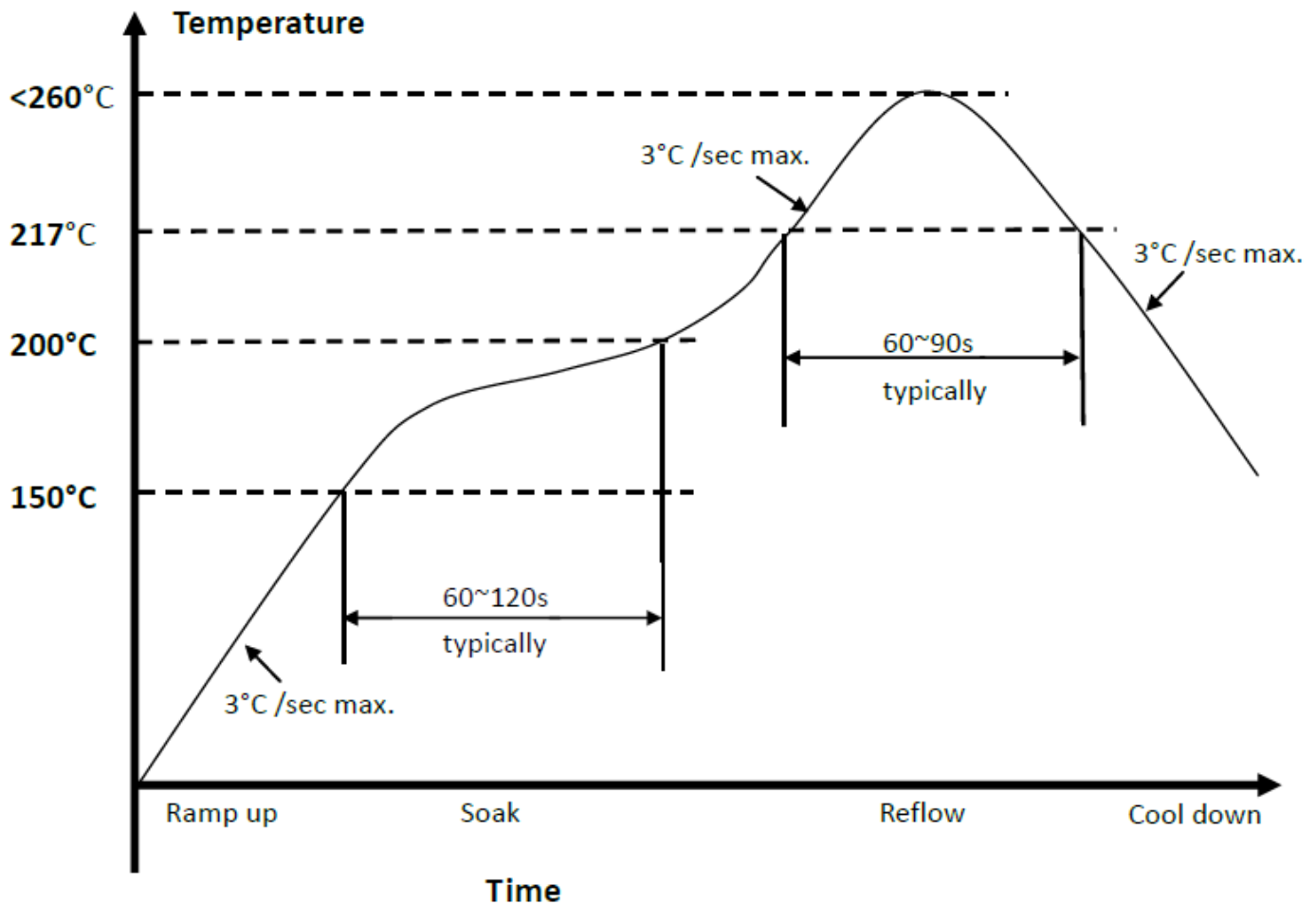
The module supports SDIO version 3.0 for all 1.8V 4-bit UHSI speeds: SDR50 (100 Mbps), SDR104 (208MHz) and DDR50 (50MHz, dual rates), and backward compatible to SDIO version 2.0 default speed (25MHz) and high speed (50 MHz). It has the ability to stop the SDIO clock and map the interrupt signal into a GPIO pin. This ‘out-of-band’ interrupt signal notifies the host when the WLAN device wants to turn on the SDIO interface. The ability to force the control of the gated clocks from within the WLAN chip is also provided.

- Function 0 Standard SDIO function (Max BlockSize / ByteCount = 32B)
- Function 1 Backplane Function to access the internal System On Chip (SOC) address space (Max BlockSize / ByteCount = 64B)
- Function 2 WLAN Function for efficient WLAN packet transfer through DMA (Max BlockSize/ByteCount=512B)

SDIO Pin Description

SD 4-Bit Mode	
DATA0	Data Line 0
DATA1	Data Line 1 or Interrupt
DATA2	Data Line 2 or Read Wait
DATA3	Data Line 3
CLK	Clock
CMD	Command Line

10. Recommended Reflow Profile



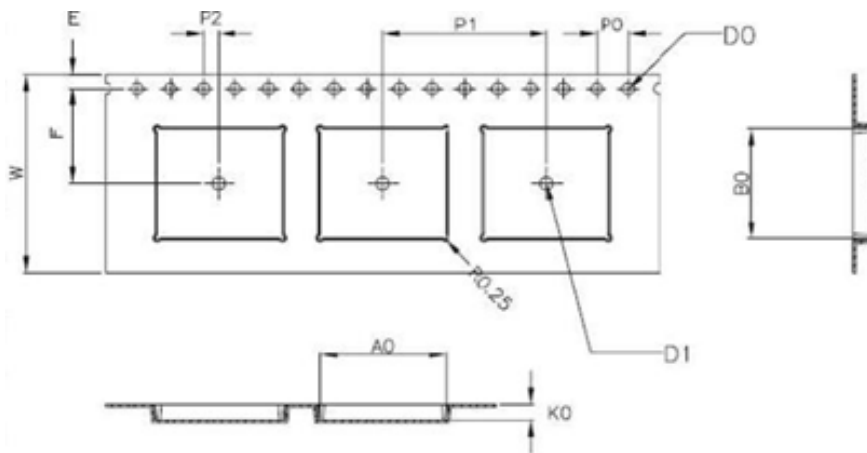
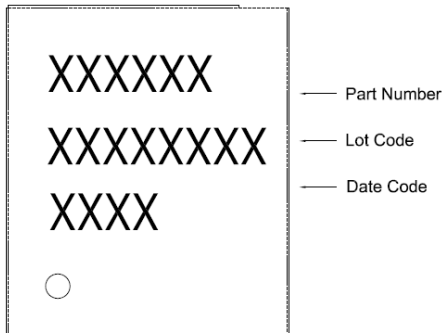
1. Referred to IPC/JEDEC standard
2. Peak Temperature: <260°C
3. Cycle of Reflow: 2 times max.
4. Adding Nitrogen (N₂) to implement 2000ppm or less of oxygen concentration during reflow process is recommended.
5. If the shelf time is exceeded, be sure baking step to remove the moisture from the component

10.1 Caution for SMT Preparation

Moisture Sensitivity Level: 4

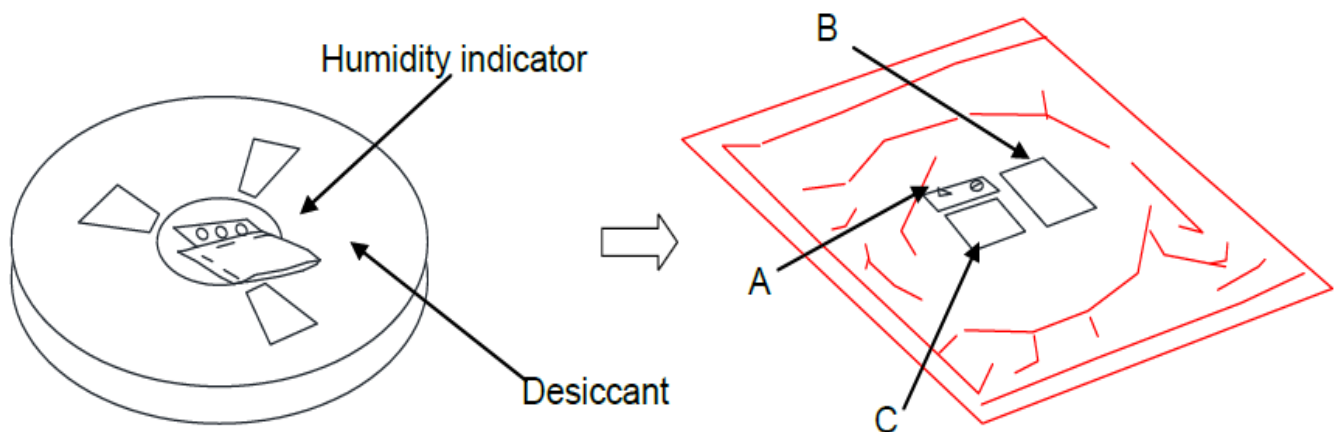
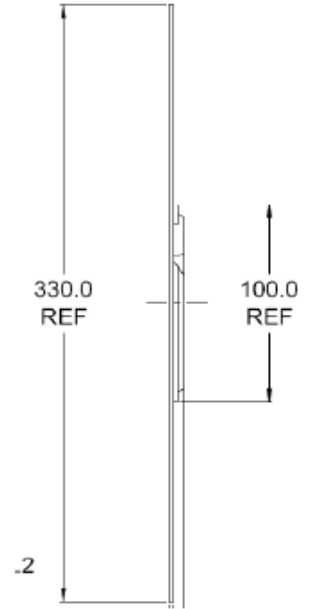
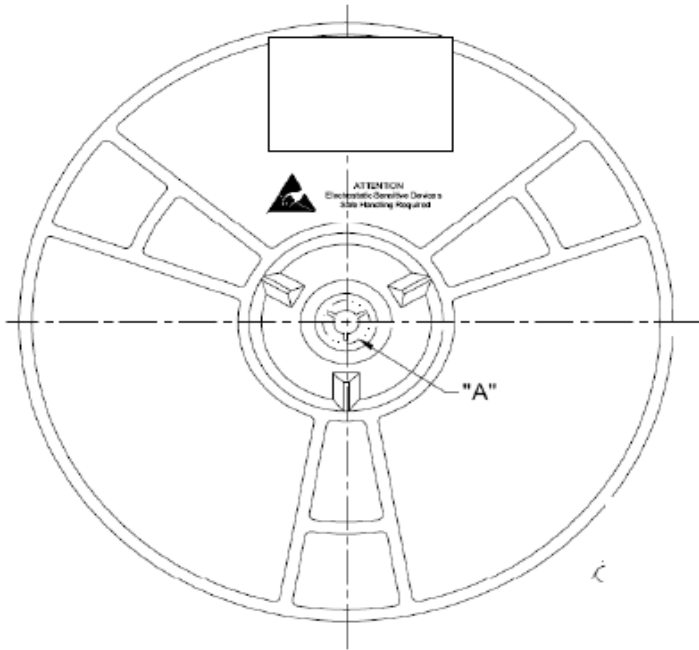
1. Calculated shelf life in sealed bag: 12 months at $<40^{\circ}\text{C}$ and $<90\%$ relative humidity (RH).
2. Peak package body temperature: 250°C .
3. After bag was opened, devices that will be subjected to reflow solder or other high temperature process must be
 - a) Mounted within: 72 hours of factory conditions $\leq 30^{\circ}\text{C}/60\%RH$ or
 - b) Stored per J-STD-033
4. Devices require bake before mounting, if:
 - a) Humidity Indicator Card reads $> 10\%$ for level 2a - 5a devices or $>60\%$ for level 2 devices when read at $23\pm 5^{\circ}\text{C}$
 - b) 3a or 3b are not met.
5. If baking is required, refer to IPC/JEDEC J-STD-033 for bake procedure.

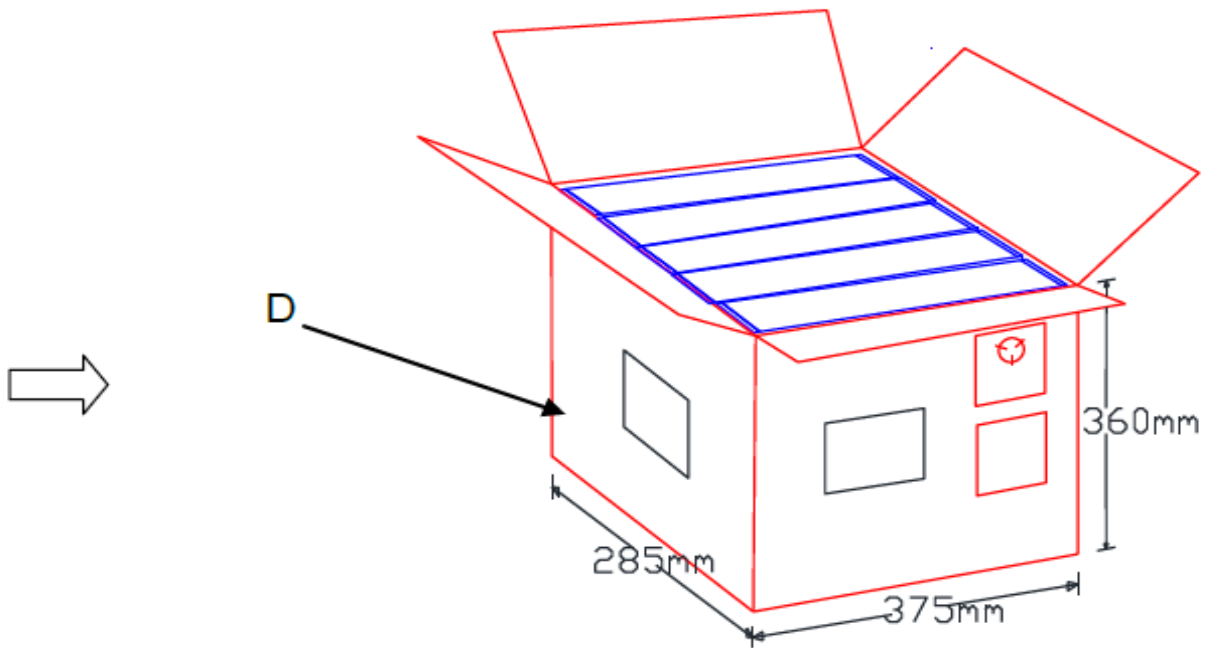
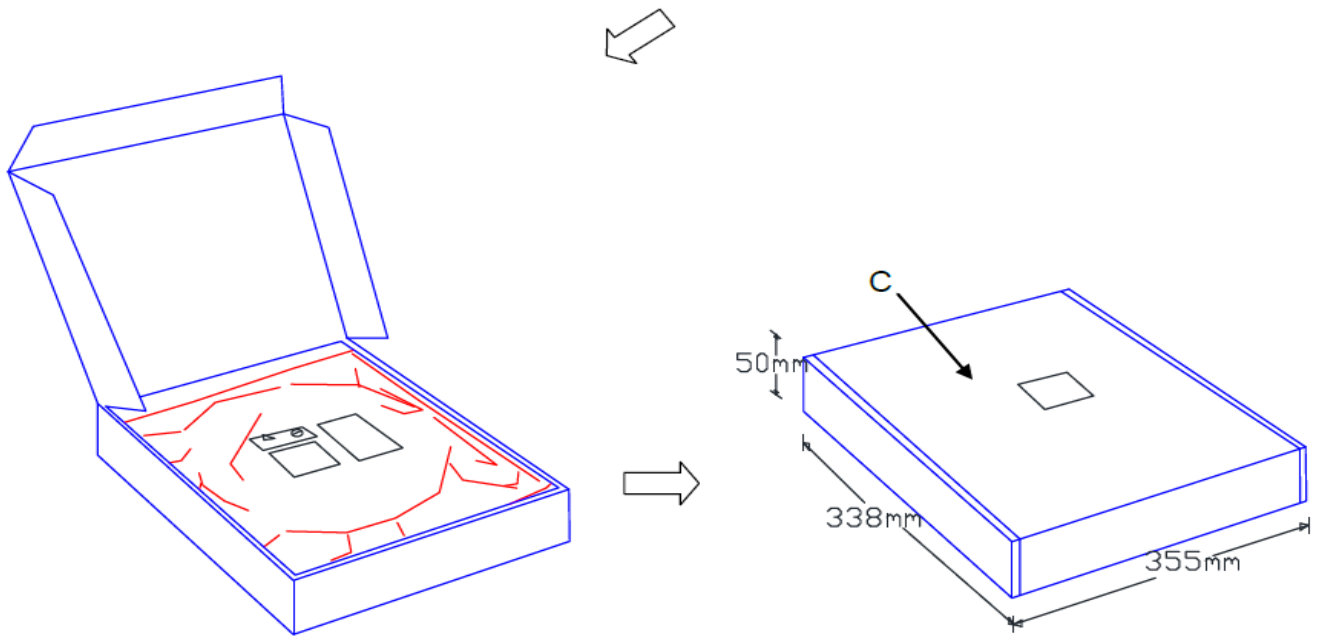
11. Package Information



W	24.00±0.30
A0	15.30±0.10
B0	13.30±0.10
K0	2.00±0.10
E	1.75±0.10
F	11.50±0.10
P0	4.00±0.10
P1	20.00±0.10
P2	2.00±0.10
D0	1.50 ^{+0.10} _{-0.00}
D1	∅ 1.50MIN

1. 10 sprocket hole pitch cumulative tolerance ± 0.20 .
2. Carrier camber is within 1 mm in 250 mm.
3. Material: Black Conductive Polystyrene Alloy.
4. All dimensions meet EIA-481-D requirements.
5. Thickness: 0.30 ± 0.05 mm.
6. Component load per 13" reel: 1000 pcs





Note: 1 tape reel = 1 box = 1,000pcs
1 Carton = 5 box = 5,000pcs

12. Ordering Information

Product Name	Part Number	Description
AP6275S	R9701A20001	11ax/ac/a/b/g/n 2T2R WiFi + BT5.0 Combo Sip Module